

COMEX EExedm 1, 2 & 3 Way Control Stations



Features

- 3 standard enclosures
- Easy to install
- Extremely flexible
- Customer - tailored solutions

Description

The ComEx program

ComEx is a flexible system offering standard as well as customer-specific local control and indicating units.

You have the choice between three standard enclosures which can accommodate up to three different control and indicating devices. Combinations of up to three ComEx enclosures are possible.

Either stuffing box glands in M20 x 1.5 and M25 x 1.5 made of plastic or cable glands made of metal are available for the electrical connection. The plastic glands require no lock nuts. Metal glands are screwed into a metal earth plate sheet inside of the enclosure. Maximum amount of cable glands: two off.

To ensure easier operation on site, each enclosure can be equipped with an individual info-label.

Fully preassembled ComEx units

On the following pages you will find our complete range of fully preassembled ComEx units, available immediately. The units are equipped with 1 to 3 elements. Standard cable entries are plastic glands type M 20 x 1.5 for a 6 to 12 mm diameter cable.

For offshore applications special oil-resistant attachments are available.

Explosion protection

Ex protection type

II 2G EEx edm IIC T6 II 2D IP 66 T 80 °C

Certification

PTB 00 ATEX 1068 UL E184198

Permissible ambient temperature

-55 °C bis +60 °C
(-20 °C bis +60 °C for zone 21 and 22)

Technical data

Connection: Terminals 2.5 mm²

PE conductor terminals: 4 x 2.5 mm²

Rated insulation voltage: max. AC 690 V

Nominal current: max. 16 A

Cable entry

standard version:

M 20 x 1.5 for cable ~ 6 to 12 mm

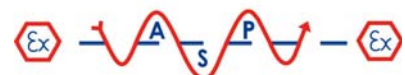
special versions:

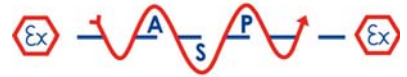
M 20 x 1.5 for cable with ~ 5 to 9 mm

M 25 x 1.5 for cable with ~ 13 to 18 mm M 25 x 1.5 for cable with ~ 9 to 16 mm

Enclosure: thermoplastics

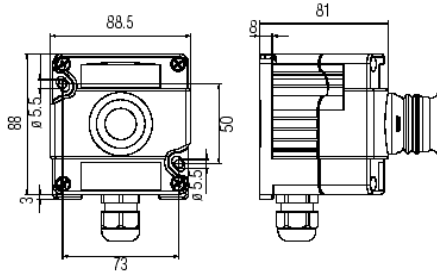
Protection class: IP 66/IP 67



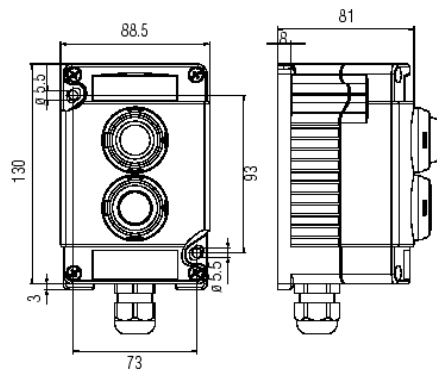


Dimensions fully preassembled units

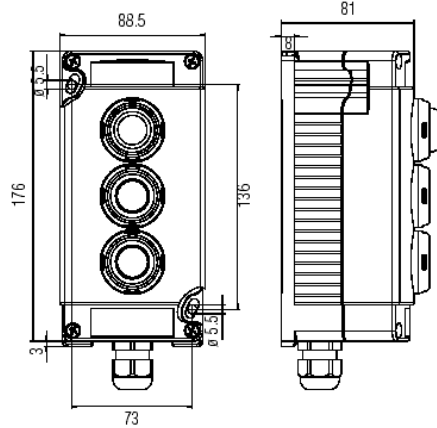
Single unit



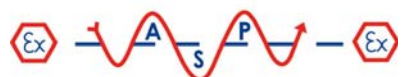
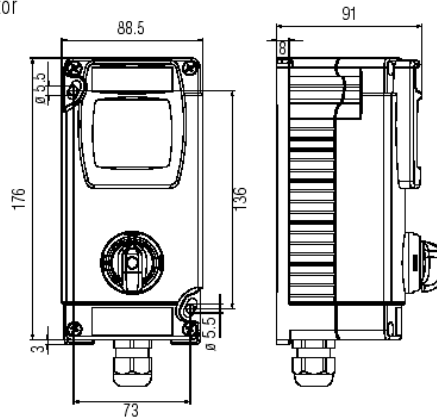
Double unit



Triple unit



Measuring instrument with actuator





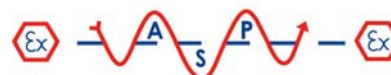
Fully Pre-assembled Limits - Standard

Selection chart			
Wiring diagram	Description	Weight	➔ Order no.
	1 pushbutton 1 NO + 1 NC incl. labels red, green, yellow, white	0.33 kg	07-3511-10P74
	1 NOT/AUS Emergency Stop 1 NO + 1 NC marked NOT/AUS and Emergency-Stop	0.36 kg	07-3511-10N84
	1 Mushroom Keyswitch 1 NO + 1 NC with key to reset	0.40 kg	07-3511-10K34
	1 Selector switch 1 NO + 1 NC, 2 position with 2 stops 0 and I, latching	0.35 kg	07-3511-10S94
	1 Selector switch 1 NO + 1 NC, 3 position with 3 stops I - 0 - II, latching	0.35 kg	07-3511-10S04
	1 Selector switch 1 NO + 1 NC, 3 position with 3 stops I - 0 - II, touch	0.35 kg	07-3511-10S14
	1 Lamp lens red green yellow white	0.35 kg	07-3511-10LRR 07-3511-10LGG 07-3511-10LYY 07-3511-10LWW
	1 Mushroom Pushbutton, black 1 NO + 1 NC	0.35 kg	07-3511-10P84
	1 Keyswitch 1 NO + 1 NC lockable in both positions	0.40 kg	07-3511-10K04
	1 Keyswitch 1 NO + 1 NC lockable in the pushed-in-position	0.40 kg	07-3511-10K14
	1 Keyswitch 1 NO + 1 NC lockable in the initial position	0.40 kg	07-3511-10K24




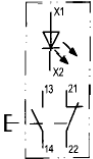

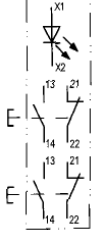

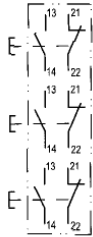

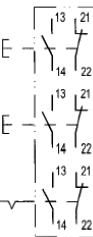


—





Fully Pre-Assembled Limits - Standard

Selection chart			
Wiring diagram	Description	Weight	➔ Order no.
 	2 pushbuttons 1 NO + 1 NC each including key labels	0.50 kg	07-3512-10P74P74
 	1 indicator lamp, 1 pushbutton with indicated lamp red green yellow white blue 1 NO + 1 NC	0.52 kg	07-3512-10LRRP74 07-3512-10LGGP74 07-3512-10LYYP74 07-3512-10LWWP74 07-3512-10LBPP74
 	1 indicator lamp, 2 pushbuttons with indicated lamp red green yellow white 1 NO + 1 NC each	0.70 kg	07-3513-10LRRP74P74 07-3513-10LGGP74P74 07-3513-10LYYP74P74 07-3513-10LWWP74P74
 	3 pushbuttons 1 NO + 1 NC each including key labels	0.68 kg	07-3513-10P74P74P74
 	2 pushbuttons 1 emergency stop button 1 NO + 1 NC each	0.70 kg	07-3513-10P74P74N84

Supplied by:

A.S.P. Electro-Technology Ltd



39 London Road, Hinckley, LE10 1HQ. U.K.
 Tel: +44 (0)1455 635796 Fax: +44 (0)1455 251110
 Email: sales@asp-electro-tech.com
 Web: asp-electro-tech.com

This publication is not intended to form the basis of a contract. All the above specifications, dimensions, weights, tolerances etc are typical and may be varied or changed by the manufacturer without prior notice. A.S.P. Electro-Technology accept no liability for consequence of use.