

GB Distribution Boxes & Enclosures - Polyester

Features

- **ATEX Certified**
- **BAS98ATEX3090X**
- **Large range of terminals including BARTEC, Weidmuller, Phoenix.**
- **Different enclosure sizes**
- **External earth connection**
- **Extended ambient Temperature Range**



Description

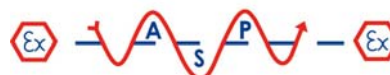
The GB-terminal box, both distribution box and empty enclosure, is manufactured of high impact resistance, glass-fibre reinforced polyester SMC & DMC providing extraordinary stability and corrosion resistance. The standard enclosure consists of black, antistatic material. Other colours without antistatic characteristics are also available. All listed GB distribution boxes and empty enclosure have been tested and approved by the BAS98ATEX authorities according to the latest European Standards. These correspond to the requirements of the EC directive 94/9/EC (ATEX).

Installation instructions

The installer must make sure that the enclosure used is suitable for the corresponding field of application. This means that the material must be suitable and the required Ex protection type must correspond to the classification of the Ex area. Also the temperature class of the distribution box must meet the respective requirements.

Selection chart			
Distribution box	Certification	Empty enclosures approved for components	Certification
G B-80	BAS98ATEX3090X	-	-
GB-110		-	-
GB-122		GB-5195-1221/2090	BAS98ATEX3089U
GB-160		GB-5195-1601/6090	
GB-220		-	-
GB-260		GB-5195-2601/6090	
GB-255		GB-5195-2552/5012	BAS98ATEX3089U
G B-400/2		-	-
GB-400		GB-5195-4004/0512	BAS98ATEX3089U



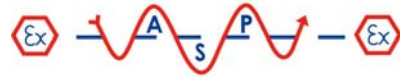


Max. power dissipation for distribution boxes			
Type	Max. power dissipation at ambient temperatures of		
	+40 °C	+55 °C	+65 °C
GB-80	1.80	0.90	0.45
GB-110	2.20	1.10	0.55
GB-122	4.00	2.00	1.00
GB-160	7.00	3.50	1.75
GB-220	6.80	3.40	1.70
GB-260	9.00	4.50	2.25
GB-255	15.00	7.50	3.75
GB-400/2	21.40	10.70	5.35

<i>Empty Ex-enclosure EExe-distribution boxes</i>	<i>Distribution Box GB-....</i>	<i>Enclosure GB-5195-.../...</i>
---	-------------------------------------	--------------------------------------

Explosion Protection:		
Ex protection type BS EN 50014, BS EN 50019; 1994 EN 50281-1-1; 1998	II 2G EEx e II T6, II 2G EEx e II BS EN 50014, BS EN 50019; 1994	II 2G EEx e II T6, II 2G EEx e II
Ambient temperature ranges (special temperature range on request)	-20 °C to +40 °C extended ambient temperature range 55 °C to +65 °C	-20 °C to +40 °C extended ambient temperature range -55 °C to +65 °C
Technical Data Material:	Polyester, black, antistatic glass-fibre reinforced, surface resistance < 10 ⁹ Ω flame retardant: IEC 92.1, UL94VO	Polyester glass-fibre reinforced, surface resistance > 10 ⁹ Ω flame retardant: IEC 92.1, UL94VO
Colour/coating	Polyester, black, antistatic	Polyester
Lid screws (other models on request)	Captive slotted or hexagon socket screw, high-quality stainless steel 316	Captive slotted or hexagon socket screw, high-quality stainless steel 316
Standard seals	Captive silicone o-ring in featherkey and keyway, arrangement, protected against the penetration of foreign matters, acc. to IP 66 (IEC 60259/EN 60529)	Captive silicone o-ring in featherkey and keyway, arrangement, protected against the penetration of foreign matters, acc. to IP 66 (IEC 60259/EN 60529)
Mechanical Resistance acc. To EN 50014	Impact Energy ≤ 2 x 7 Nm	Impact Energy ≤ 2 x 7 Nm
Protection Class acc to 60529/IEC 60529	IP66	IP66
Power Dissipation	See selection chart (without BTB-122)	See selection chart (without BTB-122)
Certification	EC model test certification BAS98ATEX3090X	EC model test certification BAS98ATEX3089U
Accessories	XE earthing studs, ES earthing studs, WB wall bracket, PB pipe bracket FB high-quality steel fixing bracket.	XE earthing studs, ES earthing studs, WB wall bracket, PB pipe bracket FB high-quality steel fixing bracket.

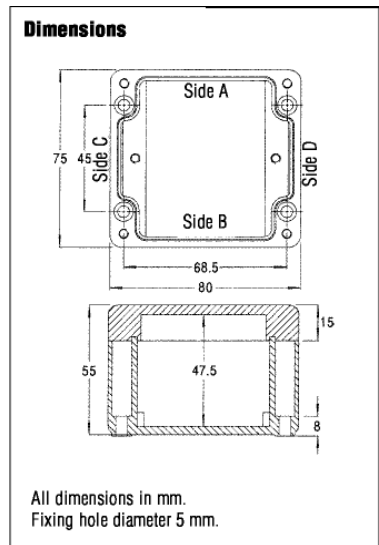




GB-80 Distribution Box:



Selection chart					
Max. number of terminals	Max. current A	Max. voltage V	Conductor size range mm ²	Earth terminal	Conductor size range mm ²
6 AKZ 4	15	275	0.5 to 2.5	AKE 4	0.22 to 4.0
4 AKZ 4	21		0.5 to 4.0		
BK 3 (1 x 3-pole)	21	275	0.5 to 4.0	DFG 1	0.22 to 4.0
BK 3 (1 x 3-pole)				2 MK (2-pole)	
BK 4 (1 x 4-pole)				DFG 1	
BK 4 (1 x 4-pole)				2 MK (2-pole)	
BK 6 (1 x 6-pole)	20	DFG 1			
BK 6 (1 x 6-pole)		2 MK (2-pole)			
BARTEC Mini-terminal (1 x 3-pole)	16	420	0.5 to 2.5	DFG 1	
BARTEC Mini-terminal (2 x 2-pole)	14				

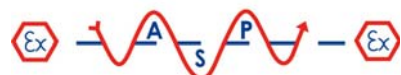
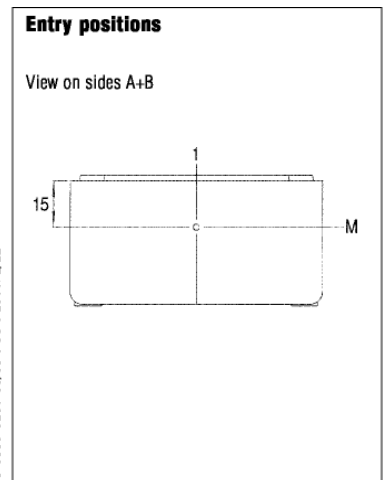


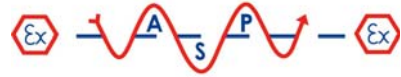
The number of terminals listed above depends on the maximum conductor size and maximum current. At least one earth terminal must be supplied.

The enclosure can be mounted with the terminal strip horizontally or vertically aligned.

Standard entry arrangements				
Thread size	Side	Max. entries per side	Position of hole	Notes
M 20	A+B	1	1M	Locknuts max. 27 mm A/C*

EEx e plug elements can be fitted, if required.
*A/C = Across Corner





GB-110 Distribution Box:



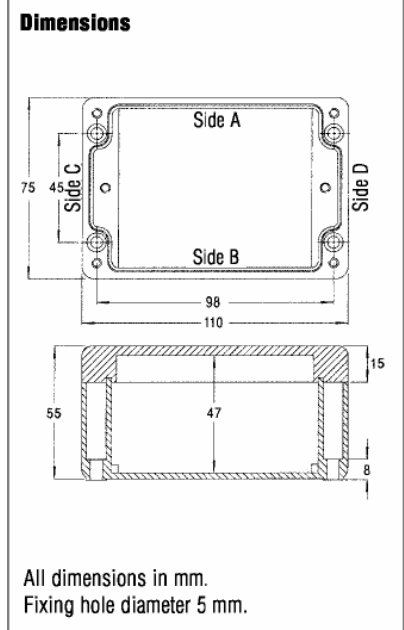
Selection chart					
Max. number of terminals	Max. current (A)	Max. voltage (V)	Conductor size (mm ²)	Earth terminal	Conductor size (mm ²)
7 AKZ 4	15	275	0.5 to 2.5	AKE 4	0.22 to 4.0
5 AKZ 4	21		0.5 to 4.0		
BK 3 (1 x 3-pole)	21	275	0.5 to 4.0	DFG 1	0.22 to 4.0
BK 3 (1 x 3-pole)				2 MK (2-pole)	
BK 4 (1 x 4-pole)				DFG 1	
BK 4 (1 x 4-pole)				2 MK (2-pole)	
BK 6 (1 x 6-pole)				DFG 1	
BK 6 (1 x 6-pole)				2 MK (2-pole)	
BARTEC Mini-terminal (1 x 3-pole)	16	420	0.5 to 2.5	DFG 1	
BARTEC Mini-terminal (2 x 2-pole)	15				
BARTEC Mini-terminal (2 x 3-pole)	12				

The number of terminals listed above depends on the maximum conductor size and maximum current. At least one earth terminal must be supplied.

The enclosure can be mounted with the terminal strip horizontally or vertically aligned.

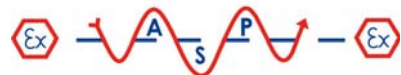
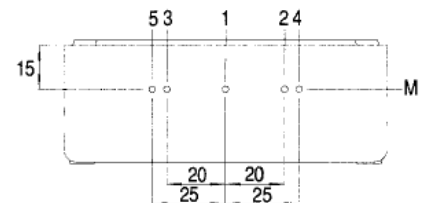
Standard entry arrangements				
Thread size	Side	Max. entries per side	Position of hole	Notes
M 20	A+B	1	1M	Locknuts max. 27 mm A/C*
		2	2M, 3M (or 4 m, 5M)	

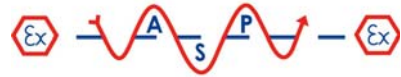
EEx e plug elements can be fitted, if required.
*A/C = Across Corner



Entry positions

View on sides A+B





GB-122 Distribution Box:



Selection chart						
Max. number of terminals		Max. current (A)	Max. voltage (V)	Conductor size (mm ²)	Earth terminal	Conductor size (mm ²)
10	SAK 2.5	15	550	0.5 to 2.5	EK 4	0.5 to 4.0
8	SAK 4	21		0.5 to 4.0		
6	SAK 6N	26		0.5 to 6.0	EK 10	2.5 to 10.0
5	SAK 10	37		2.5 to 10.0		
12	WDU 2.5	15	726	0.22 to 2.5	WPE 2.5	1.5 to 2.5
9	WDU 4	21		1.5 to 4.0	WPE 4	1.5 to 4.0
9	WDU 6	26		1.5 to 6.0	WPE 6	1.5 to 6.0
6	WDU 10	37		1.5 to 10.0	WPE 10	1.5 to 10.0
6	WDU 16	47		1.5 to 16.0	WPE 16	1.5 to 16.0
3	WDU 35	75		2.5 to 35.0	WPE 35	2.5 to 35.0
BK 3 (1 x 3-pole)		21		275	0.5 to 4.0	BET 2
BK 4 (1 x 4 -pole)						
BK 6 (1 x 6-pole)						
BK 12 (1 x 12-pole)		20	418	0.5 to 16.0	BET 2	0.5 to 16.0
MK 6/6 (1 x 6-pole)						
BTB 4 (1 x 4-pole)						
BTB 6 (1 x 6-pole)		37	726	0.5 to 16.0	BET 2	0.5 to 16.0

- A maximum of 2 earth bars type QS3 may be supplied.
- Alternative terminal types are available.

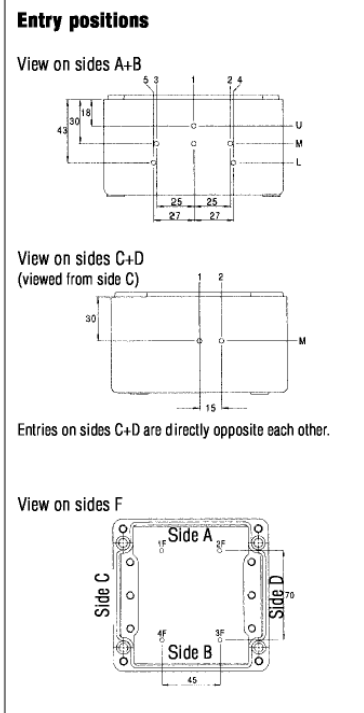
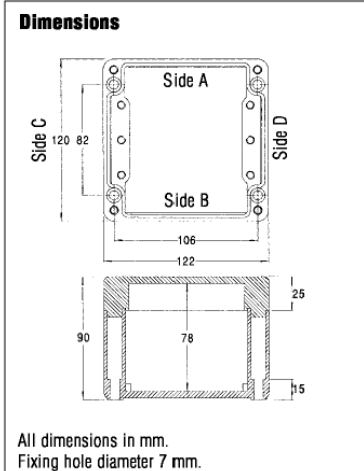
The number of terminals listed above depends on the maximum conductor size and maximum current. At least one earth terminal must be supplied. The enclosure can be mounted with the terminal strip horizontally or vertically aligned.

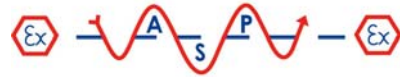
Standard entry arrangements				
Thread size	Side	Max. entries per side	Position of holes	Notes
M 20	A+B	1	1M	
		2	2M, 3M	
		3	1U, 4L, 5L	Not with ECP fitted and locknuts max. 27 mm A/C*
	C+D	1	1M	Not when terminal strip fitted
		1	2M	Not when QS3 fitted
M 25	A+B	1	1M	
		2	2M, 3M	Locknut max. 40 mm A/C*
M 32	A+B	1	1M	

- The threaded boreholes can be different at each end.
- EExe plug elements can be fitted, if required.

Special rear entry positions			
Thread size	Side	Max. entries per side	Position of holes
M 20	F	4	1F, 2F, 3F, 4F

- EEx e plug elements can be fitted, if required.
- *A/C = Across Corner





GB-220 Distribution Box:



Selection chart					
Max. number of terminals	Max. current (A)	Max. voltage (V)	Conductor size (mm ²)	Earth terminal	Conductor size (mm ²)
12 SAK 2.5	15	550	0.5 to 2.5	EK 4	0.5 to 4.0
10 SAK 4	21		0.5 to 4.0		
9 SAK 6N	26		0.5 to 6.0		
9 SAK 10	37		2.5 to 10.0		
12 WDU 2.5	15	726	0.22 to 2.5	WPE 2.5	1.5 to 2.5
9 WDU 4	21		1.5 to 4.0	WPE 4	1.5 to 4.0
10 WDU 6	26		1.5 to 6.0	WPE 6	1.5 to 6.0
7 WDU 10	37		1.5 to 10.0	WPE 10	1.5 to 10.0
7 WDU 16	47		1.5 to 16.0	WPE 16	1.5 to 16.0
4 WDU 35	75		2.5 to 35.0	WPE 35	2.5 to 35.0
BK 3 (1 x 3-pole)	21	275	0.5 to 4.0	BET 2	0.5 to 16.0*
BK 4 (1 x 4-pole)					
BK 6 (1 x 6-pole)					
BK 12 (1 x 12-pole)	20	418			
MK 6/6 (1 x 6-pole)	26				
BTB 4 (1 x 4-pole)	37	726	0.5 to 16.0*	BET 2	0.5 to 16.0*
BTB 4 (2 x 4-pole)					
BTB 6 (1 x 6-pole)					
BTB 6 (2 x 6-pole)					

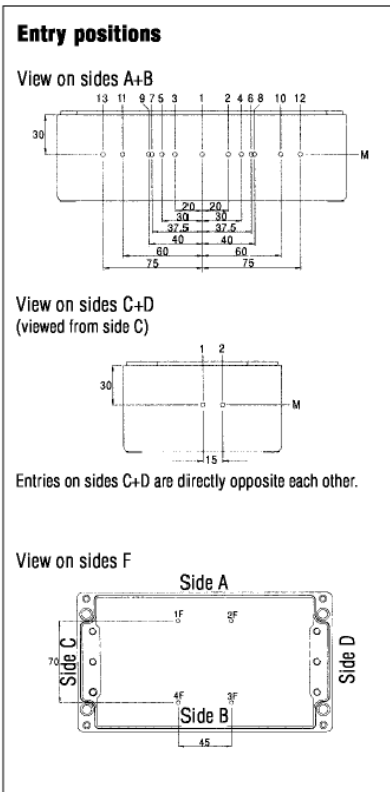
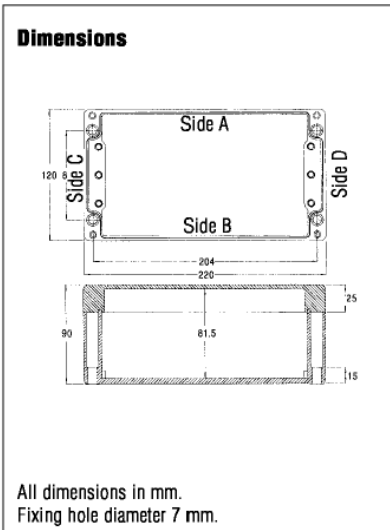
- A maximum of 2 earth bars type QS3 may be supplied.
 - Alternative terminal types are available.
- The number of terminals listed above depends on the maximum conductor size and maximum current. At least one earth terminal must be supplied. The enclosure can be mounted with the terminal strip horizontally or vertically aligned.

Standard entry arrangements				
Thread size	Side	Max. entries per side	Position of holes	Notes
M 20	A+B	3 4 5	1M, 8M, 9M, 2M, 3M, 10M, 11M 1M, 6M, 7M, 12M, 13M	
	C+D	1	1M oder 2M	Not when QS3 earth bar fitted
M 25	A+B	2 3	4M, 5M 1M, 10M, 11M	
	A+B	2	4M, 5M	

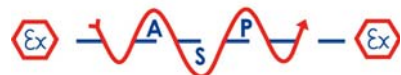
- The threaded boreholes can be different at each end.
- EExe plug elements can be fitted, if required.

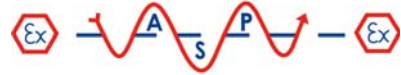
Special rear entry positions			
Thread size	Side	Max. entries per side	Position of holes
M 20	F	4	1F, 2F, 3F, 4F

- Single M20 entry in the lid is possible.

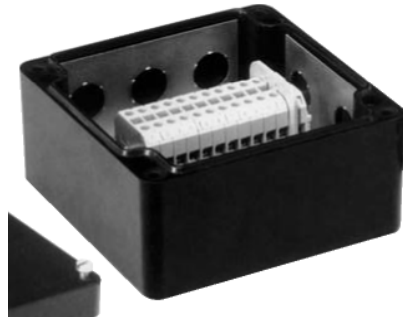


03-0330-0201-06/03-BCS-B201172/5E

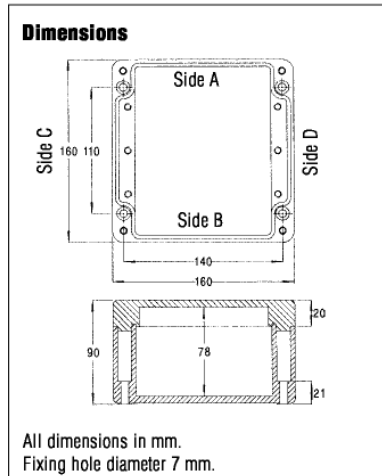




GB-160 Distribution Box:



Selection chart					
Max. number of terminals	Max. current (A)	Max. voltage (V)	Conductor size (mm ²)	Earth terminal	Conductor size (mm ²)
15 SAK 2.5	15	550	0.5 to 2.5	EK 4	0.5 to 4.0
14 SAK 4	21		0.5 to 4.0		
11 SAK 6N	26		0.5 to 6.0	EK 10	
8 SAK 10	37		2.5 to 10.0		
7 SAK 16	47		6.0 to 16.0	EK 16	
17 WDU 2.5	15		0.22 to 2.5		
13 WDU 4	21	726	1.5 to 4.0	WPE 4	1.5 to 4.0
13 WDU 6	26		1.5 to 6.0	WPE 6	1.5 to 6.0
9 WDU 10	37		1.5 to 10.0	WPE 10	1.5 to 10.0
9 WDU 16	47		1.5 to 16.0	WPE 16	1.5 to 16.0
5 WDU 35	75		2.5 to 35.0	WPE 35	2.5 to 35.0
BK 3 (1 x 3-pole)	21		275	0.5 to 4.0	BET 2
BK 4 (1 x 4-pole)					
BK 6 (1 x 6-pole)					
BK 12 (1 x 12-pole)					
1 x BK 4 + 1 x BK12	37	726	0.5 to 16.0*	BET 2	0.5 to 16.0*
BTB 4 (1 x 4-pole)					
BTB 4 (2 x 4-pole)					
BTB 6 (1 x 6-pole)					
BTB 6 (2 x 6-pole)					



- A maximum of 2 earth bars type QS3 may be supplied.
 - Alternative terminal types are available.
- The number of terminals listed above depends on the maximum conductor size and maximum current. At least one earth terminal must be supplied. The enclosure can be mounted with the terminal strip horizontally or vertically aligned.

Standard entry arrangements				
Thread size	Side	Max. entries per side	Position of holes	Note
M 20	A+B	3	1M, 4M, 5M	
	C+D	2	2M, 3M	Not when QS4 earth bar fitted
M 25	A+B	1	1M	
	C+D	2	2M, 3M	Not when QS4 earth bar fitted
M 32	A+B	2	2M, 3M	

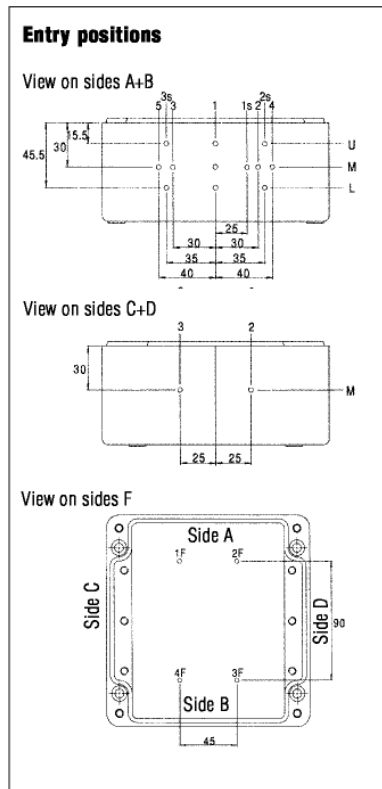
- The threaded boreholes can be different at each end.
- EExe plug elements can be fitted, if required.

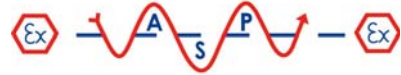
Special rear entry positions			
Thread size	Side	Max. entries per side	Position of holes
M 20	F	4	1F, 2F, 3F, 4F

- Single M 20 entry in the lid is possible also.

Special side entry positions			
Thread size	Side	Max. entries per side	Position of holes
M 20	A+B	6	1U, 1L, 2sU, 2sL, 3sU, 3sL
M 20 + M 25	A+B	4 x M20	2sU, 2sL, 3sU, 3sL 1 x M25, 1M
M 20 + M 32	A+B	2 x M20 1 x M32	3sU, 3sL 1sM

- Single M 20 entry in the lid is possible.





GB-260 Distribution Box:



Selection chart							
Max. number of terminals	Max. current (A)	Max. voltage (V)	Conductor size (mm ²)	Earth terminal	Conductor size (mm ²)		
17 SAK 2.5	15	550	0.5 to 2.5	EK 4	0.5 to 4.0		
31 SAK 2.5	11.5						
32 SAK 2.5	5						
13 SAK 4	21						
28 SAK 4	16						
30 SAK 4	5						
13 SAK 6N	26	0.5 to 6.0	2.5 to 10.0	EK 10	2.5 to 10.0		
23 SAK 6N	20						
24 SAK 6N	5						
12 SAK 10	37	2.5 to 10.0	6.0 to 16.0	EK 16	6.0 to 16.0		
18 SAK 10	28						
11 SAK 16	47	726	6.0 to 16.0	WPE 2.5	1.5 to 2.5		
15 SAK 16	35		0.22 to 2.5				
17 WDU 2.5	15		1.5 to 4.0			WPE 4	1.5 to 4.0
13 WDU 4	21		1.5 to 6.0			WPE 6	1.5 to 6.0
13 WDU 6	26		1.5 to 10.0			WPE 10	1.5 to 10.0
10 WDU 10	37		1.5 to 16.0			WPE 16	1.5 to 16.0
9 WDU 16	47		2.5 to 35.0			WPE 35	2.5 to 35.0
6 WDU 35	75						

- A maximum of 2 earth bars type QS3 may be supplied.
- Alternative terminal types are available.

The number of terminals listed above depends on the maximum conductor size and maximum current. At least one earth terminal must be supplied. The enclosure can be mounted with the terminal strip horizontally or vertically aligned.

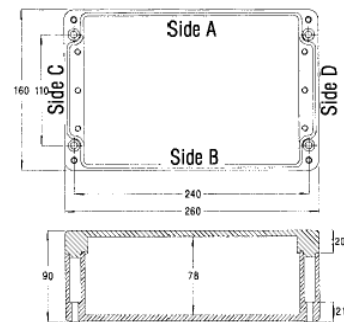
Standard entry arrangements			
Thread size	Side	Max. entries per side	Position of holes
M 20	A+B	5	1M, 2M, 3M, 6M, 7M
		10	1U, 2U, 3U, 6U, 7U, 1L, 2L, 3L, 6L, 7L
	C+D	2	2M, 3M
M 25	A+B	3	1M, 4M, 5M
		4	2sM, 3sM, 8sM, 9sM
	C+D	2	2M, 3M
M 32	A+B	3	1M, 4M, 5M

- The threaded boreholes can be different at each end.
- EExe plug elements can be fitted, if required.

Special rear entry positions			
Thread size	Side	Max. entries per side	Position of holes
M 20	F	8	1F, 2F, 3F, 4F, 5F, 6F, 7F, 8F
M 32	F	1	9F

- Single M 20 entry in the lid is possible also.

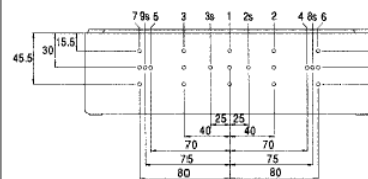
Dimensions



All dimensions in mm.
Fixing hole diameter 7 mm.

Entry positions

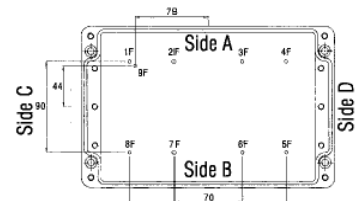
View on sides A+B



View on sides C+D

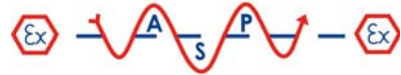


View on sides F



13-0330-0201-06/03-BCS-B201172/7E





GB-255 Distribution Box:



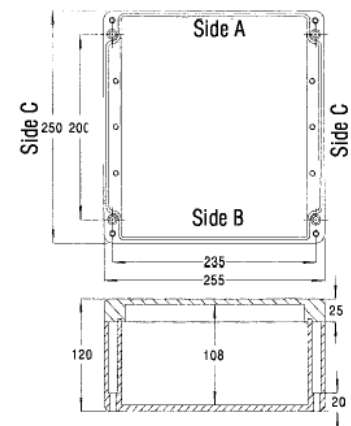
Selection chart								
Max. number of terminals	Number of rails	Max. current (A)	Max. voltage (V)	Conductor size (mm ²)	Earth terminal	Conductor size (mm ²)		
25 SAK 2.5	1 or 2	15	550	0.5 to 2.5	EK 4	0.5 bis 4.0		
53 SAK 2.5	2	11.5						
62 SAK 2.5	2	5						
20 SAK 4	1 or 2	21		0.5 to 4.0				
44 SAK 4	2	16						
60 SAK 4	2	5						
19 SAK 6N	1 or 2	26		0.5 to 6.0			EK 10	2.5 to 10.0
42 SAK 6N	2	20						
48 SAK 6N	2	5						
17 SAK 10	1 or 2	37						
36 SAK 10	2	28	2.5 to 10.0					
12 SAK 16	1	47						
8 SAK 35N	1	75	726	2.5 to 10.0	EK 16	6.0 to 16.0		
25 WDU 2.5	1 or 2	15		2.5 to 10.0	EK 35	6.0 to 35.0		
19 WDU 4	1 or 2	21		0.22 to 2.5	WPE 2.5	1.5 to 2.5		
20 WDU 6	1 or 2	26		1.5 to 4.0	WPE 4	1.5 to 4.0		
14 WDU 10	1 or 2	37		1.5 to 6.0	WPE 6	1.5 to 6.0		
14 WDU 16	1 or 2	47		1.5 to 10.0	WPE 10	1.5 to 10.0		
9 WDU 35	1 or 2	75		1.5 to 16.0	WPE 16	1.5 to 16.0		
				2.5 to 35.0	WPE 35	2.5 to 35.0		

- A maximum of 2 earth connection bars type QS9 may be supplied.
 - Alternative terminal types are available.
- The maximum number of terminals listed above depends on the maximum conductor size and maximum current. At least one earth terminal must be supplied.
The enclosure can be mounted with the terminal strip horizontally or vertically aligned or fitted with a single diagonally mounted terminal strip.

Standard entry arrangements			
Thread size	Side	Max. entries per side	Position of holes
M 20	A+B	5	1M, 4M, 5M, 10M, 11M
	C+D	4	1U, 4U, 5U, 10U, 11U, 1L, 4L, 5L, 10L, 11L
M 25	A+B	4	2M, 3M, 6M, 7M
	C+D	8	2U, 3U, 6U, 7U, 2L, 3L, 6L, 7L
M 32	A+B	4	2M, 3M, 8M, 9M
	C+D	3	1M, 6M, 7M
M 40	A+B	3	1M, 6M, 7M
	C+D	2	4M, 5M
M 50	A+B	3	1M, 6M, 7M
	C+D	2	4M, 5M
M 50	A+B	1	1M
	C+D	1	1M

- The threaded boreholes can be different at each end.
- EEx plug elements can be fitted, if required.

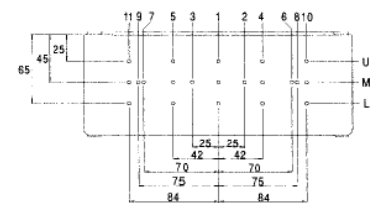
Dimensions



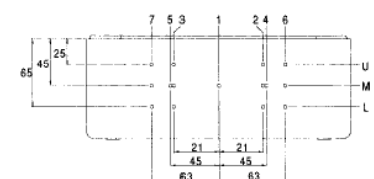
All dimensions in mm.
Fixing hole diameter 7 mm.

Entry positions

View on sides A+B

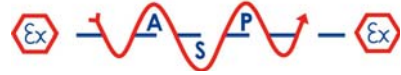


View on sides C+D



1-06/03-BCS-B201172/8E





GB-400 Distribution Box:



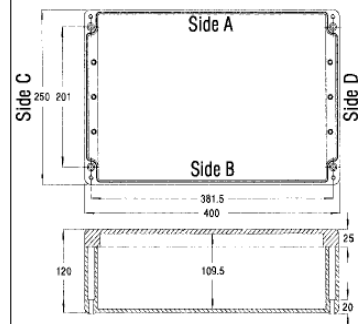
Selection chart						
Max. number of terminals	Number of rails	Max. current (A)	Max. voltage (V)	Conductor size (mm ²)	Earth terminal	Conductor size (mm ²)
33 SAK 2.5	1 or 2	15	550	0.5 to 2.5	EK 4	0.5 to 4.0
74 SAK 2.5	2	11.5				
108 SAK 2.5	2	5				
27 SAK 4	1 or 2	21		0.5 to 4.0	EK 10	2.5 to 10.0
59 SAK 4	2	16				
102 SAK 4	2	5				
26 SAK 6N	1 or 2	26		0.5 to 6.0	EK 10	2.5 to 10.0
56 SAK 6N	2	20				
84 SAK 6N	2	5				
23 SAK 10	1 or 2	37		2.5 to 10.0	EK 10	2.5 to 10.0
51 SAK 10	2	28				
20 SAK 16	1	47				
19 SAK 35N	1	75	6.0 to 16.0	EK 16	6.0 to 16.0	
12 SAK 70	1	114				
33 WDU 2.5	1 or 2	15				
26 WDU 4	1 or 2	21	726	6.0 to 16.0	EK 35	6.0 to 35.0
26 WDU 6	1 or 2	26				
20 WDU 10	1 or 2	37				
26 WDU 4	1 or 2	21		0.22 to 2.5	WPE 2.5	1.5 to 2.5
26 WDU 6	1 or 2	26				
20 WDU 10	1 or 2	37				
19 WDU 16	1 or 2	47		1.5 to 4.0	WPE 4	1.5 to 4.0
13 WDU 35	1 or 2	75				
19 WDU 16	1 or 2	47				
13 WDU 35	1 or 2	75		1.5 to 6.0	WPE 6	1.5 to 6.0
19 WDU 16	1 or 2	47				
13 WDU 35	1 or 2	75				
19 WDU 16	1 or 2	47	1.5 to 10.0	WPE 10	1.5 to 10.0	
13 WDU 35	1 or 2	75				
19 WDU 16	1 or 2	47				
13 WDU 35	1 or 2	75	1.5 to 16.0	WPE 16	1.5 to 16.0	
19 WDU 16	1 or 2	47				
13 WDU 35	1 or 2	75				
13 WDU 35	1 or 2	75	2.5 to 35.0	WPE 35	1.5 to 35.0	
19 WDU 16	1 or 2	47				
13 WDU 35	1 or 2	75				

- A maximum of 2 earth connection bars type QS15 may be supplied.
 - Alternative terminal types are available.
- The maximum number of terminals listed above depends on the maximum conductor size and maximum current. At least one earth terminal must be supplied.
The enclosure can be mounted with the terminal strip horizontally or vertically aligned or fitted with a single diagonally mounted terminal strip.

Standard entry arrangements			
Thread size	Side	Max. entries per side	Position of holes
M 20	A+B and C+D	8	2M, 3M, 6M, 7M, 12M, 13M, 16M, 17M
		16	2U, 3U, 6U, 7U, 12U, 13U, 16U, 17U, 2L, 3L, 6L, 7L, 12L, 13L, 16L, 17L
M 25	A+B and C+D	7	1M, 4M, 5M, 10M, 11M, 16M, 17M
M 32	A+B and C+D	5	1M, 8M, 9M, 14M, 15M
M 40	A+B and C+D	5	1M, 8M, 9M, 14M, 15M
M 50	A+B and C+D	1	1M
		2	14sM, 15sM oder 1M, 14sM oder 1M, 15sM

- The threaded boreholes can be different at each end.
- EExe plug elements can be fitted, if required.

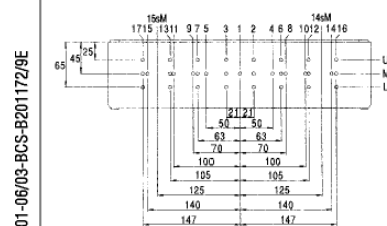
Dimensions



All dimensions in mm.
Fixing hole diameter 7 mm.

Entry positions

View on sides A+B and sides C+D



03-0330-0201-06/03-BCS-B201172/9E

2/28



