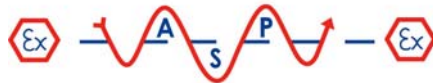


A.S.P. Electro-Technology Ltd
INFORMATION SHEET



HEAT DETECTOR - HD1 Range

EExd, EExem & Intrinsically Safe.



Introduction

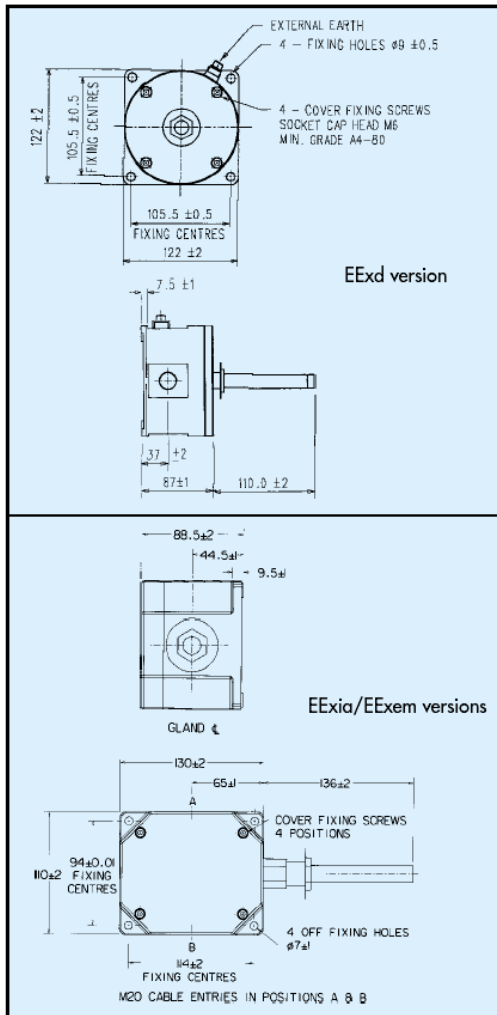
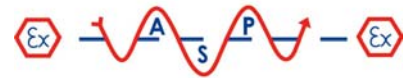
This heat detector has been designed for use in hazardous environments. These units are suitable for fire alarm and/or suppression systems in offshore and onshore applications including paint spray booths, flammable material stores, turbine rooms, extract ductwork and other hazardous areas throughout the oil & gas, petrochemical and process industries.

Comprising a Fenwal rate-compensated detector with all-stainless steel external construction, mounted to either a type SM87 marine grade alloy enclosure (EExd version) or JB10 corrosion-free GRP enclosure (EExia, EExem versions). The contact in the detector CLOSSES at alarm temperature.

To select appropriate temperature setting see specification on reverse.

- Zone 0, Zone 1 and Zone 2 use.
- EExia IIC T6, EExd IIB T6 or EExem II T6.
- ATEX approved – Ex II 1G (EExia)
 - Ex II 2G (EExd/EExem).
- CENELEC approved.
- BASEEFA certified.
- IP66 & IP67.
- Certified temperature:
- –20°C to +55°C (EExd/EExem).
- –55°C to +55°C (EExia).
- Stainless steel probe.
- Detector temperature settings:
- 60°C to 385°C, (140°F to 725°F).
- Marine grade alloy or GRP enclosure.
- Optional guard.





Specification

Certification:	CENELEC EN50014, 19 & 28. EExd IIB T6, Cert.No. Baseefa 03ATEX0447. EExia IIC T6, Cert. No. Baseefa 03ATEX0427. EEExem II T6, Cert. No. Baseefa 03ATEX0428.				
Material:	Detector:	316 stainless steel			
	Enclosures:	EExd – LM25 marine grade alloy. EExia/EEExem – GRP (anti-static). Stainless steel cover screws.			
	Optional Guard:	316 stainless steel.			
Finish:	Detector:	Sand blasted.			
	Enclosures:	EExd – Epoxy painted grey as standard or to customer's specification. EExia/EEExem – Self coloured black or epoxy painted to customer's specification.			
Weight:	EExd, 2kg. EExia/EEExem, 1.1kg.				
Certified Temperature:	-20°C to +55°C EExd/EEExem, -55°C to +55°C EExia.				
Ingress Protection:	IP66 & IP67.				
Operation:	The detector contact is normally open and CLOSES at alarm temperature.				
Listed Temperature Settings:	To select appropriate temperature settings, choose detector at 56°C (100°F) above maximum ambient temperature.				
	Temperature Setting (°F)	Temperature Setting (°C)	Tolerance (°F)	Tolerance (°C)	Colour Code Detector Tip
	140	60	+7/-8	±4	Yellow
	160	71	+7/-8	±4	Yellow
	190	88	+7/-8	±4	White
	225	107	+7/-8	±4	White
	275	135	±10	±6	Blue
	325	163	±10	±6	Red
	360	182	±10	±6	Red
	450	232	±15	±8	Green
	600	316	±20	±11	Orange
	725	385	±25	±14	Orange
Contact Rating:	EExd/EEExem: 125V a.c – 5A, 125V d.c. – 0.5A, 48V d.c. – 1A. EExia: 30V – 300mA.				
Terminals:	6 x 4mm ² (BK6).				
Labels:	Optional stainless steel tag and duty labels.				
Cable Entries:	2 x M20 ISO.				

Ordering Requirements The following code is designed to help in the selection of the correct unit. Build up the reference number by inserting the code for each component into the appropriate box.

Standard products, available on 2 week delivery, order as follows:

HD1BDXXXNG ATEX approved Ex II 2G, certified EExd IIB T6, specify temperature setting, 2 x M20 entries, marine grade alloy enclosure, painted grey.

HD1BIXXXXN ATEX approved Ex II 1G, certified EExia IIC T6, specify temperature setting, 2 x M20 entries, GRP enclosure, natural black.

HD1BEXXXXN ATEX approved Ex II 2G, certified EEExem II T6, specify temperature setting, 2 x M20 entries, GRP enclosure, natural black.

Model	Certification	Temp. Settings	Options	Enclosure Finish	
HD1					
Type	Code	Temp °F	Code	Finish	Code
EExd	BD	140	140	Natural Black (EEEx/EEExi only)	N
EEExe	BE	160	160	Grey	G
EExi	BI	190	190	Red	R
		225	225	Blue	B
		275	275	Yellow	Y
		325	325	Special Finish	S
		360	360		
		450	450		
		600	600		
		725	725		
Option	Code				
Duty Label	D				
Tag Label	T				
Guard	G				
None	N				

Supplied by:

A.S.P. Electro-Technology Ltd
Specialist Suppliers of Hazardous Area Certified
Electrical Products & Instrumentation

39 London Road, Hinckley, LE10 1HQ, U.K.
Tel: +44 (0)1455 635796 Fax: +44 (0)1455 251110
Email: sales@asp-electro-tech.com Web: asp-electro-tech.com



This publication is not intended to form the basis of a contract. All the above specifications, dimensions, weights, tolerances etc are typical and may be varied or changed by the manufacturer without prior notice. A.S.P. Electro-Technology accept no liability for consequence of use.