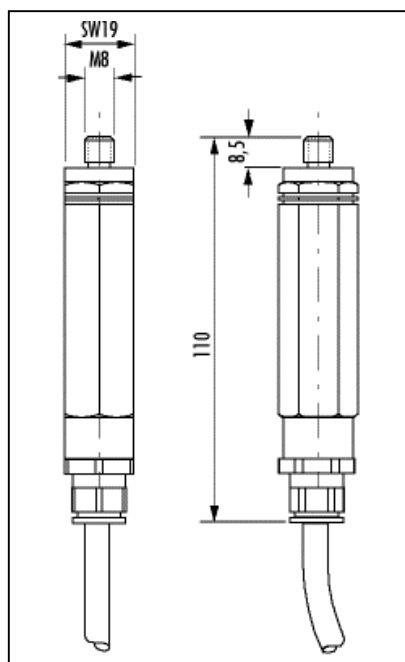


A.S.P. Electro-Technology Ltd INFORMATION SHEET

EExd Compact Thermostat REX 011 Series

- Compact design
- Set temperature
- High switching capacity

Compact small mechanical thermostat for temperature regulation and monitoring of heaters, for example in transmitter cabinets, control panels and measuring equipment which are deployed in areas with explosion hazard. The special switch construction enables high response accuracy, small switch temperature difference and a very long service life. High switching performance allows direct control of the heaters.



Art. No.	Switch-off temperature
01180.0-00	15 °C (59 °F)
01181.0-00	25 °C (77 °F)

Technical Specifications:

Switch difference (temperature)	4K ± 1K
Sensor element	thermostatic bimetal
Service life	> 100,000 cycles
Max. Switching capacity	AC250V 4A (resistive Load). AC 250V 1A (inductive load at cos phi = 0.6)
Connection	Si HF - JZ 3 x 0.75mm ² , length 1m
Mounting	mounting bracket with nut M8 (see illustration)
Weight (ca.)	0.20kg
Fitting position	variable
Storage temp.	-45 °C (-49 °F) - 70 °C (158 °F)
Ingress Protection:	IP 65
Certification	ATEX Ex II 2G, EExd IIC T6 certified.
Approvals	CE
UL File No.	E164102

Supplied by:

A.S.P. Electro-Technology Ltd



39 London Road, Hinckley, LE10 1HQ. U.K.
 Tel: +44 (0)1455 635796 Fax: +44 (0)1455 251110
 Email: sales@asp-electro-tech.com
 Web: asp-electro-tech.com

This publication is not intended to form the basis of a contract. All the above specifications, dimensions, weights, tolerances etc are typical and may be varied or changed by the manufacturer without prior notice. A.S.P. Electro-Technology accept no liability for consequence of use.