

A.S.P. Electro-Technology Ltd INFORMATION SHEET

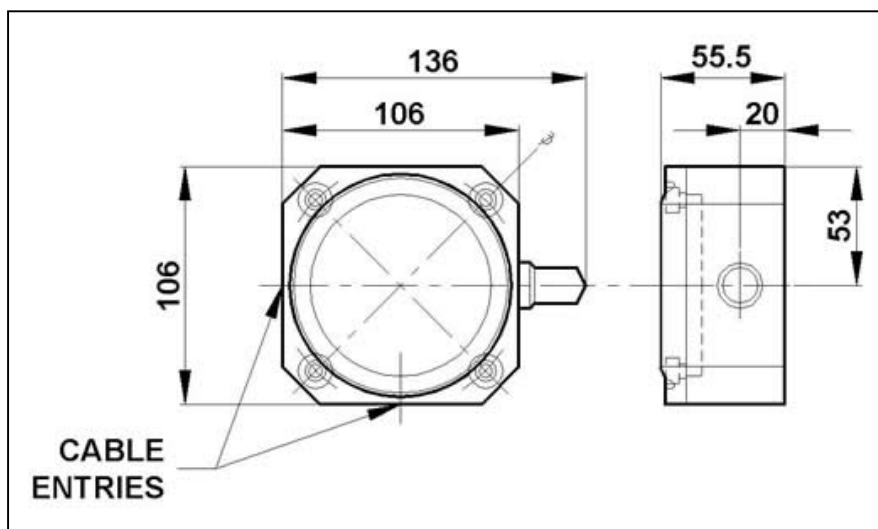
'HFT' Air Sensing Flameproof Thermostat

This flameproof thermostat is ATEX certified EEx 'd' IIC T6, suitable for installation in Zone 1 or 2 Hazardous Areas.

The 'HFT' is designed for the temperature control of work or storage areas, in conjunction with a Hazardous Area air heater.

Features

- Wall mounted
- Stainless Steel enclosure certified weatherproof to IP67.
- Suitable for ambient temperatures -60 °C to +60 °C.



Certification:	ATEX Certified EEx'd' IIC T6 to CENELEC EN50 014 and EN50 018.
Enclosure:	Cast stainless steel with 2 x M20 cable entries, external and internal earths and internal neutral link.
Controls:	Choice of control range: 0°C to 40°C or 0°C to 60°C.
Mounting:	2 x 6mm dia shrouded mounting holes are provided.
Rating:	SPST, 16 Amp 380v maximum.

Supplied by:

A.S.P. Electro-Technology Ltd



39 London Road, Hinckley, LE10 1HQ. U.K.
Tel: +44 (0)1455 635796 Fax: +44 (0)1455 251110
Email: sales@asp-electro-tech.com
Web: asp-electro-tech.com

This publication is not intended to form the basis of a contract. All the above specifications, dimensions, weights, tolerances etc are typical and may be varied or changed by the manufacturer without prior notice. A.S.P. Electro-Technology accept no liability for consequence of use.