

A.S.P. Electro-Technology Ltd INFORMATION SHEET

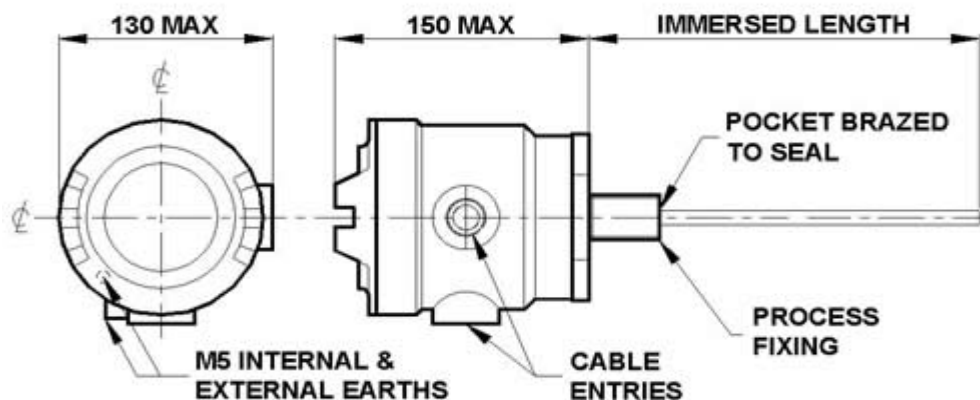
'RFT' Process Sensing Thermostat

This flameproof thermostat is ATEX certified EEx 'd' IIC T6, suitable for installation in Zone 1 or 2 Hazardous Areas.

The 'RFT' is suitable for use in process tanks and vessels containing liquids or gases.

Features:

- Mounting can be by a threaded boss or an industry standard flange.
- Lightweight cast aluminium enclosure certified weatherproof to IP67



Certification: ATEX Certified EEx'd' IIC T6 to CENELEC EN50 014 and EN50 018.

Enclosure: Cast Aluminium alloy with a maximum of two cable entries and external and internal earths.

Controls: Choice of control range to suit process application.

Mounting: Any threaded boss or flange in any material can be specified within the limits of the design parameters.

Rating: 16 Amp 380v maximum in a choice of switching configurations.

Supplied by:

A.S.P. Electro-Technology Ltd



39 London Road, Hinckley, LE10 1HQ. U.K.

Tel: +44 (0)1455 635796 Fax: +44 (0)1455 251110

Email: sales@asp-electro-tech.com

Web: asp-electro-tech.com

This publication is not intended to form the basis of a contract. All the above specifications, dimensions, weights, tolerances etc are typical and may be varied or changed by the manufacturer without prior notice. A.S.P. Electro-Technology accept no liability for consequence of use.