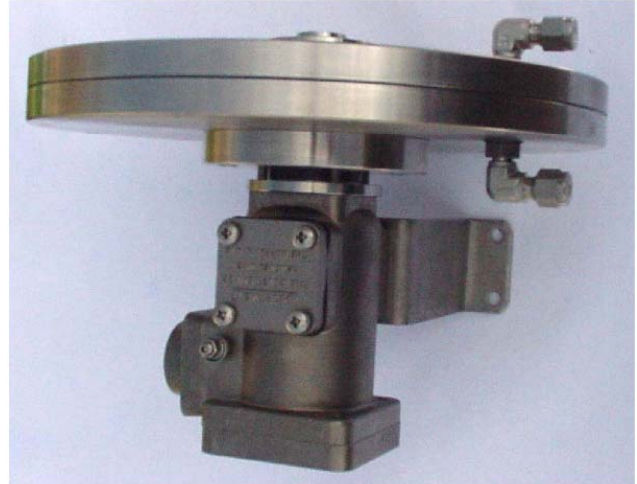


**A.S.P. Electro-Technology Ltd**  
**INFORMATION SHEET**

**TITAN TYPE DPF266 & DPF296 EEx(d)/I.S.  
DIFFERENTIAL PRESSURE SWITCH**

- BASEEFA. EEx(d) certified. Zones 1 & 2 Groups IIB + H2 T6. Ta -20 to +55°C
- ATEX certified CEII2GD ,EExd IIB + H2 T6 CAT 2, Ta -55 to 75°C
- Intrinsically safe certified - EExia IIC T4, T5 & T6
- Differential Pressure, Low Pressure and Vacuum options available.
- Stainless steel or black anodised aluminium IP66 rated enclosure.
- Calibrated adjustment scale
- Incremental pressure ranges between 1.0 mBar – 11 Bar



**General:**

Incorporating a diaphragm and two sealing Belloframs this differential pressure switch offers reliable switching action when sensing a difference in pressure. Housed in a stainless steel or black anodised aluminium case to IP66 standards and sensitive enough to operate at 1 mBar and can be offered with two microswitches set to operate simultaneously along with internal resistors for “end of line” & short circuit monitoring.

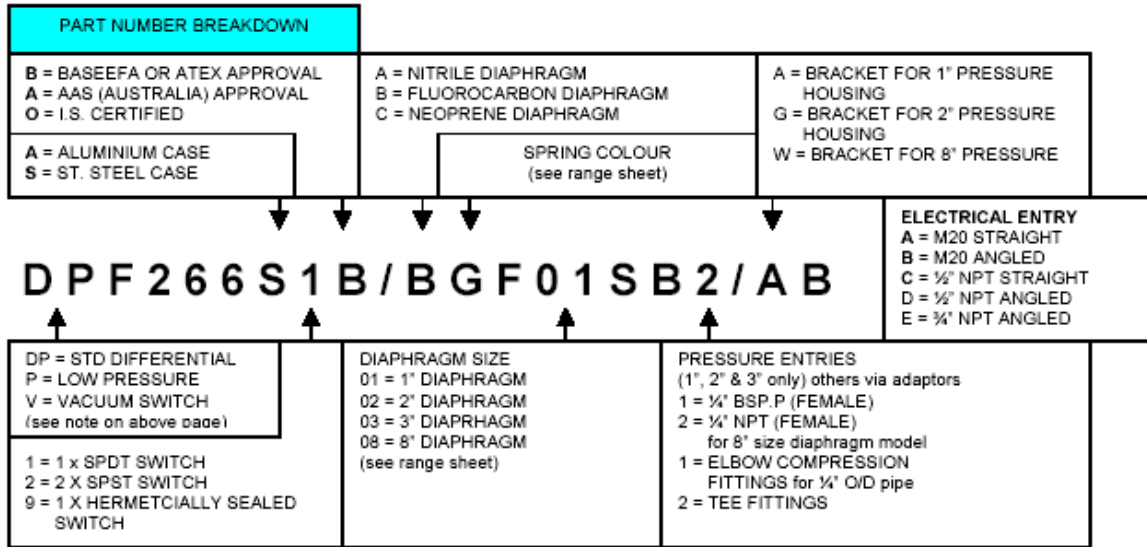
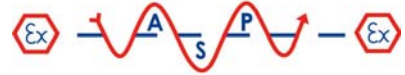
Wetted parts: 1”, 2” & 3” ANC4B Stainless steel and 8”: 316 Stainless steel  
Seals: Fluorocarbon

**Type DPF266 EEx(d)/I.S. Differential Pressure Switch**

**Adjustment Ranges:**

ADJUSTMENT RANGE (BAR G)	MAX WORKING PRESSURE (BAR) (EQUALISED)	MAX. WORKING PRESSURE (BAR) (one sided)	SWITCHING DIFFERENTIAL (mBAR)	SPRING CODE	DIAPHRAGM SIZE
1.75 – 8.5	28	14	100 – 400	W	01
0.5 – 5.5	28	14	70 – 380	P	01
0.3 – 1.1	28	14	40 – 90	R	01
125 – 725 mBar	10	7	10 – 75	G	02
50 – 250 mBar	10	7	5.0 – 27.5	G	03
25 – 75 mBar	10	7	4.2 – 7.5	T	03
15 – 55 mBar	3.5	0.35	5.0 – 7.5	S	08
4 – 16 mBar	3.5	0.35	0.75 – 2.0	R	08
1 – 5 mBar	3.5	0.35	0.4 – 0.75	T	08



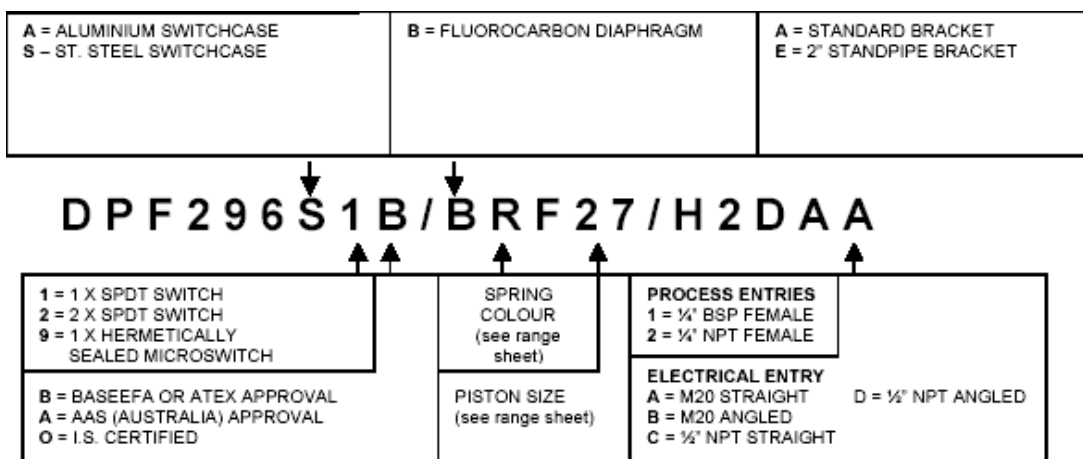


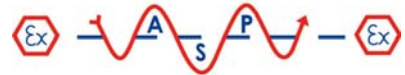
## TYPE DPF296 EEx(d)/I.S. - Flameproof High Static Pressure Differential

### Adjustment Ranges

ADJUSTMENT RANGE (BAR G)	MAX WORKING PRESSURE (BAR) (EQUALISED)	MAX. WORKING PRESSURE (BAR) (one sided)	SWITCHING DIFFERENTIAL (mBAR)	SPRING CODE	DIAPHRAGM SIZE
1.5 - 3.5	140	28	< 0.9	G	18
3.5 - 10.5	140	28	< 1.5	W	27
7.5 - 11	140	28	< 2.0	B	18

### Part Number Breakdown





**Technical:**

**Switchcase and covers:**

Stainless steel ANC4B BS3146 or black anodised aluminium alloy LM25TF.

**Wetted parts:** As specific data sheets

**Microswitch form:** 1 x SPDT

Contact material: Gold plated silver  
Contact rating: 3A @ 30V dc inductive  
3A @ 250V ac inductive

**Electrical connections:** Clamp type terminal block suitable for cable sizes 0.5 – 2.5mm<sup>2</sup>

**Electrical conduit entry:** M20 x 1.5 ISO straight entry. Adaptors available e.g. 90° angled or 1/2" NPT straight entry.

**Accuracy:** 2% BS6134:1991

**Temperature limitations:**

Ambient

BASEEFA : Ta max. –20 to +55°C T max. 85°C T6

ATEX/Sira : Ta max. –55 to +75°C T max. 85°C T6  
: Ta max. –55 to +75°C T max. 100°C T5

Process : -50 to 90°C (Nitrile diaphragm/seals)  
: -20 to 150°C (Fluorocarbon diaphragm/seals)

**Certification:**

BASEEFA/CENELEC : EExd IIB + H<sub>2</sub> T6

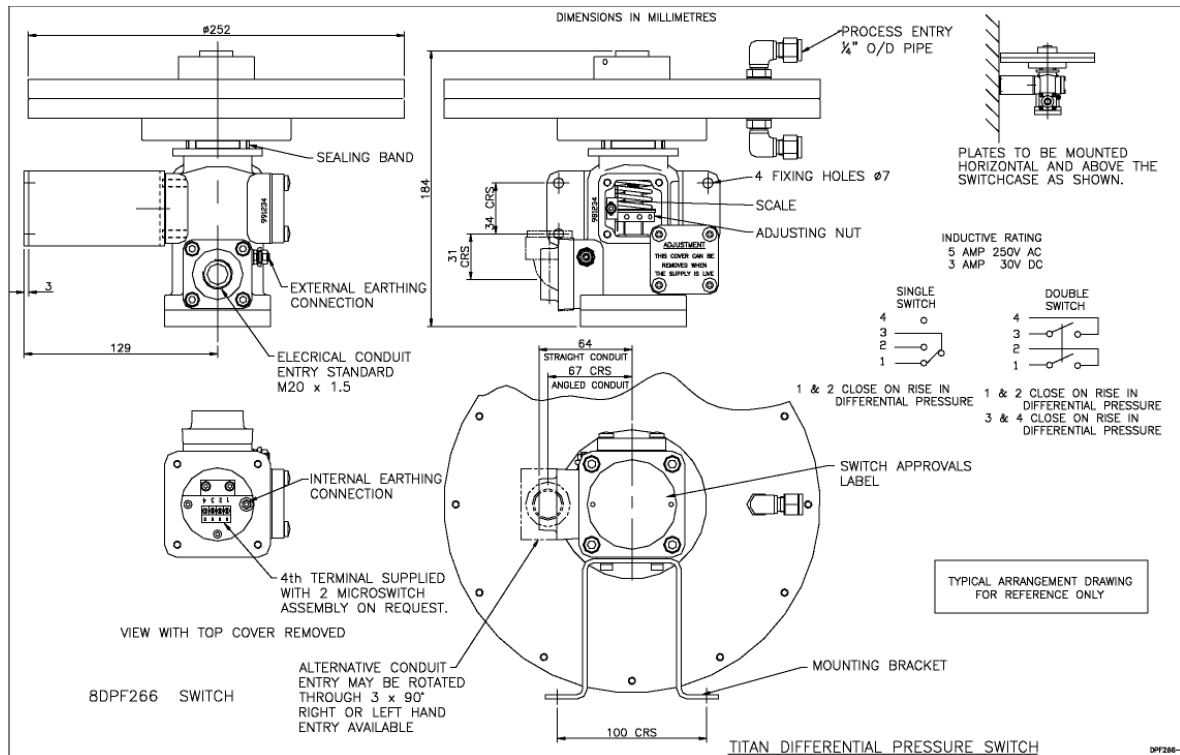
ATEX/Sira : CE 112GD EExd IIC T6 Ta –50 to +75°C

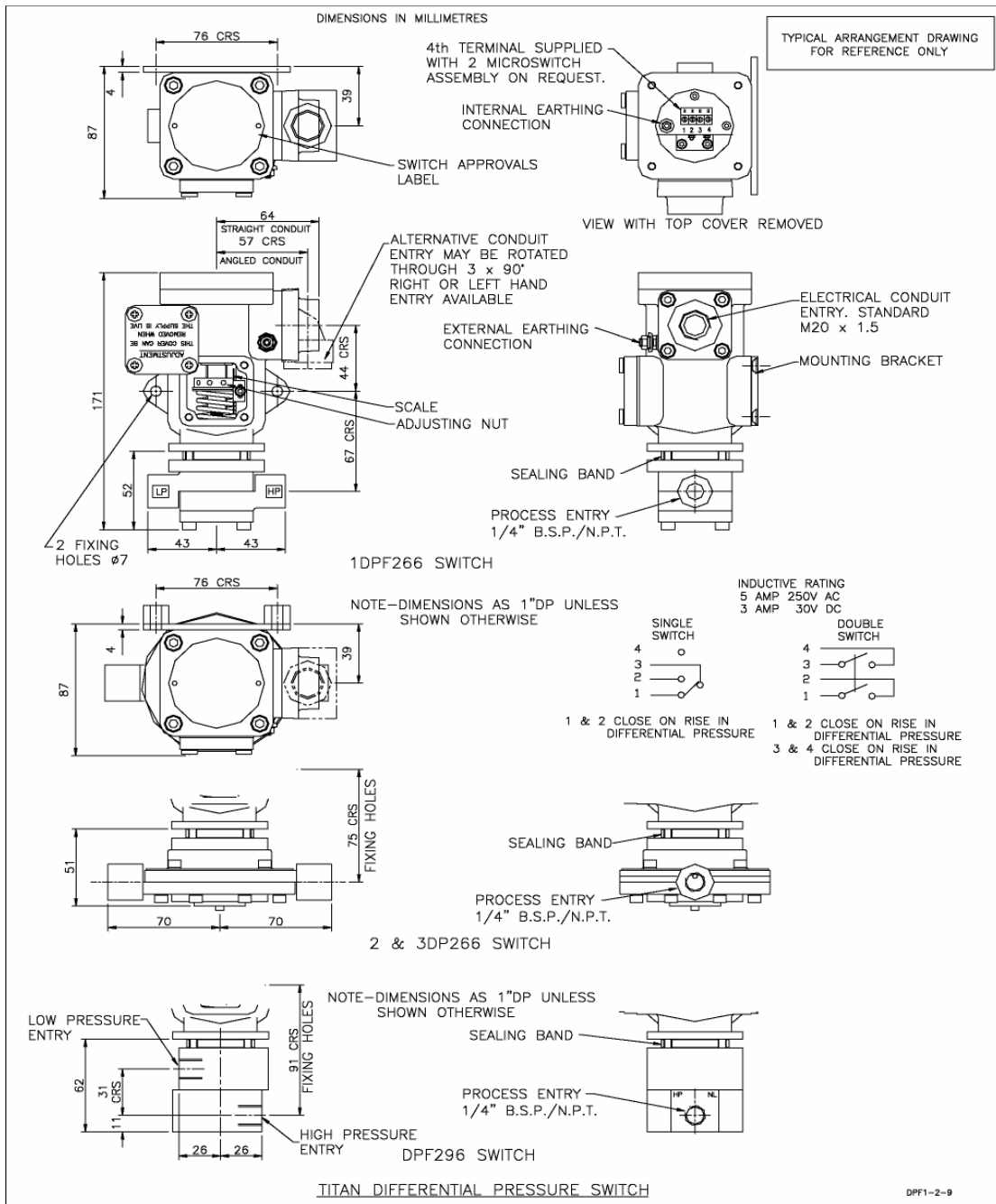
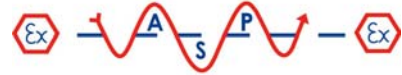
I.S. – Either EEx ia IIC T6 Ta = -50°C to +40°C

or EEx ia IIC T5 Ta = -50°C to +50°C

or EEx ia IIC T4 Ta = -50°C to +80°C

**Drawings**





Supplied by:

**A.S.P. Electro-Technology Ltd**  
Specialist Suppliers of Hazardous Area Certified  
Electrical Products & Instrumentation

39 London Road, Hinckley, LE10 1HQ. U.K.  
Tel: +44 (0)1455 635796 Fax: +44 (0)1455 251110  
Email: [sales@asp-electro-tech.com](mailto:sales@asp-electro-tech.com) Web: [asp-electro-tech.com](http://asp-electro-tech.com)



This publication is not intended to form the basis of a contract. All the above specifications, dimensions, weights, tolerances etc are typical and may be varied or changed by the manufacturer without prior notice. A.S.P. Electro-Technology accept no liability for consequence of use.