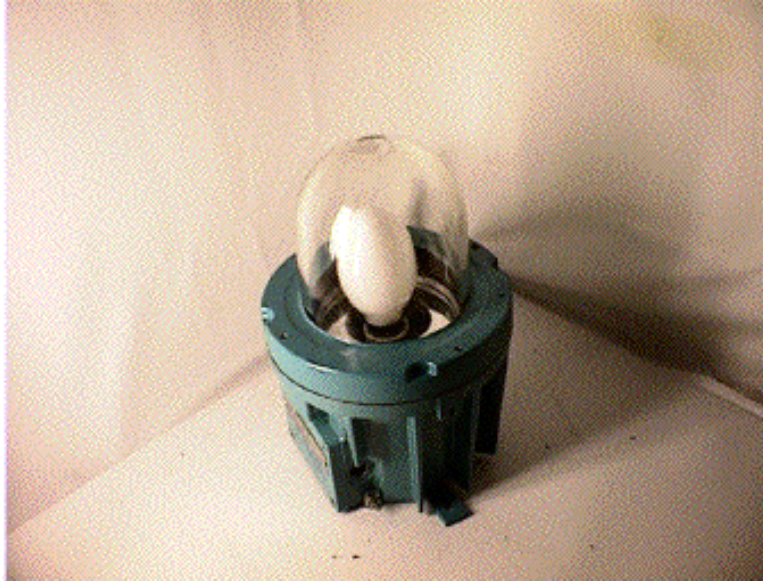


A.S.P. ELECTRO-TECHNOLOGY LTD
INFORMATION SHEET

6 Series EExde/d Wellglass Luminaire 610C Range



Features

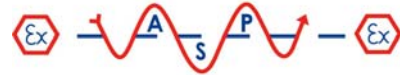
- ✘ Directional control with pivot bracket and/or external reflector
- ✘ Some versions available in stainless steel or gun metal in addition to standard aluminium alloy body
- ✘ Optional external reflector or wire guard
- ✘ Optional pivot bracket for directional control

Certification & Approval

Certification Code:	EEx de (EEx d option) IIC T3 and T4 dependent on lamp source - see data
Certification Standard:	BS5501 Parts 1, 5 and 6 (EN50014-018-019) Atex approval pending.
Certificate Number:	SIRA 00 ATEX 1048
Degree of Protection:	IP 66 to IEC 529

Technical Data

Supply voltage	<ul style="list-style-type: none">• Standard product 240V, 50Hz.• Other voltages and frequencies on request.
Control gear	Integral within the luminaire. Operating power factor typically 0.9.

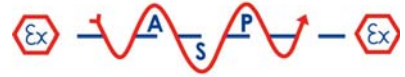


Lamp source options	<ul style="list-style-type: none">• Certified with elliptical lamps.• Max. 150w GLS T4 @ Ta = 40°C• 50 or 70w SON-E T4 @ Ta = 40°C• 110w SON-E T4 @ Ta = 40°C• 70w SON-R T3 @ Ta = 55°C 50w or 80W HPMV/MBF T4 @ Ta = 40°C• 125w HPMV/MBF T3 @ Ta = 35°C• Max. 25w SL or 20w PLCE T4 @ Ta = 70°C• All with ES (E27) lampholder.• Up to 150w GLS BC also available. T4 @ Ta = 40°C• Lamps are not included.• N.B. Temp. classifications can be improved if mounted vertically.										
Mounting facilities	<ul style="list-style-type: none">• Fixed strap as standard. Pendant or pivot bracket available.										
Cable entries	<ul style="list-style-type: none">• 2 x M 20 - ISO (1 plugged) as standard.• Other thread forms available. Direct EEx d cable entry version available.										
Terminals	<ul style="list-style-type: none">• 4 wire and Earth with looping facility. Cable size 4 mm² max.										
Operating temperature	<ul style="list-style-type: none">• -20°C to +40°C. Some versions available for 55°C operation.										
Reflector	<ul style="list-style-type: none">• Internal polished aluminium. External reflector available at extra cost.										
Access for lamp change	<ul style="list-style-type: none">• Removable wellglass with threaded spigot flamepath for easy access.• Internal flamepath construction with full gasket protection.										
Access for connections	<ul style="list-style-type: none">• Removable EEx e terminal cover with 4 stainless steel screws.• Direct entry on EEx d version.										
Finish	<ul style="list-style-type: none">• 2 pack aqua epoxy paint on pre-treated & primed surface.• Alternative finishes available.										
Material	<ul style="list-style-type: none">• Corrosion resistant light alloy to BS1490 as standard.• LM2 gunmetal or 316 stainless steel are also available.										
Protective guard	<ul style="list-style-type: none">• Wire guard available at extra cost.										
Weight	<table><tr><td>Standard</td><td></td></tr><tr><td>SON 70/110w</td><td>9.5/10.5kg</td></tr><tr><td>HPMV 80/125</td><td>10kg</td></tr><tr><td>GLS 150w max.</td><td>8kg</td></tr><tr><td>SL</td><td>8kg</td></tr></table>	Standard		SON 70/110w	9.5/10.5kg	HPMV 80/125	10kg	GLS 150w max.	8kg	SL	8kg
Standard											
SON 70/110w	9.5/10.5kg										
HPMV 80/125	10kg										
GLS 150w max.	8kg										
SL	8kg										

Gun metal versions approx. 3.5 times above weights.

Stainless steel versions approx. 3 times above weights.



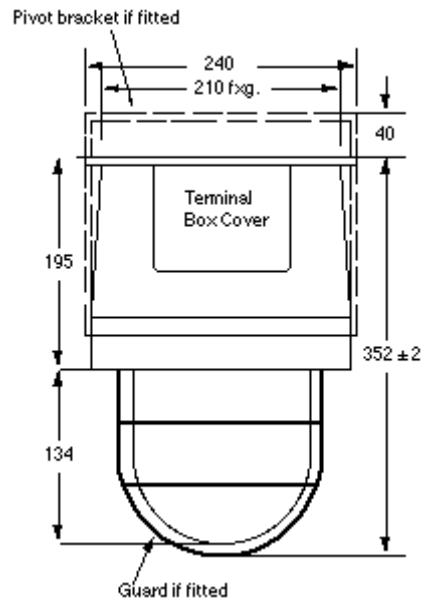


How To Order

Product codes are formed as follows:

Series Ref.	Lamp Size & Type	Voltage	Frequency
610C	e.g. 70w SON	e.g. 240	e.g. 50

and written: 610C / 70w SON / 240 / 50



Special features

specified using the following codes:

/Pg	Pg 13.5 cable entries
/WG	Wire Guard
/R	External Reflector
/PB	Pivot Bracket
/P	Pendant mounting
/D	EEx d direct entry version

These are added to the product codes as required: e.g. 610C / 70w SON / 240 / 50 / Pg / WG

Supplied by:

A.S.P. Electro-Technology Ltd



39 London Road, Hinckley, LE10 1HQ. U.K.
Tel: +44 (0)1455 635796 Fax: +44 (0)1455 251110
Email: sales@asp-electro-tech.com
Web: asp-electro-tech.com

This publication is not intended to form the basis of a contract. All the above specifications, dimensions, weights, tolerances etc are typical and may be varied or changed by the manufacturer without prior notice. A.S.P. Electro-Technology accept no liability for consequence of use.