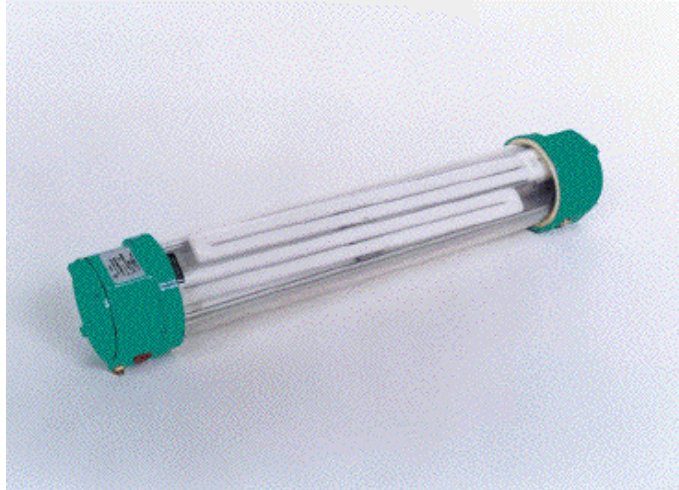


A.S.P. Electro-Technology Ltd

INFORMATION SHEET

7 Series EExd Compact Fluorescent Luminaires



Features

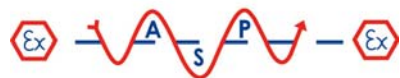
- ✦ 2.5 times longer working life than standard T8 lamps
- ✦ Higher light output from smaller, more economical fittings
- ✦ Through wiring option saves time on large installations
- ✦ Tested to meet ATEX requirements (compulsory standard from 2003)
- ✦ Modern attributes eg compact fluorescents & self test systems
- ✦ Up to 80% less energy consumption for the same quantity of light

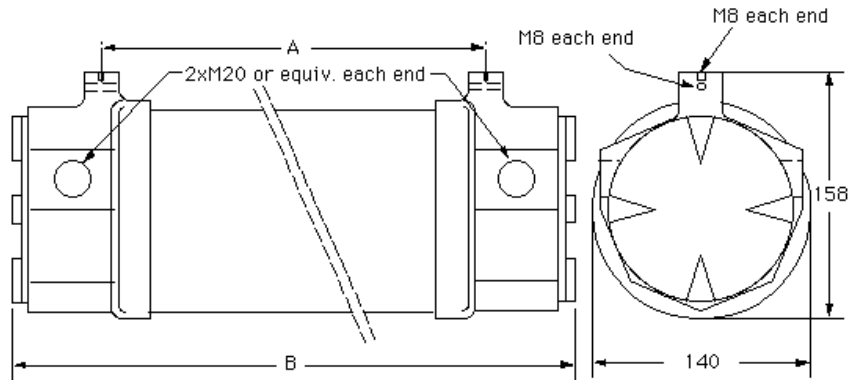
Certification & Approval

Certification Code:	EEx d IIB & IIC T4-T5-T6
Certification Standard:	EN50014-018
Certificate Number:	SIRA Ex 97D1098 (ATEX pending)
Degree of Protection:	IP 66 to IEC 529

Time taken for 20% deterioration in light output

Compact lamp	Linear T8 bi-pin lamps
12,000 hours	5,000 hours





Size	Model	A	B	All dimensions in mm
1	8w	335	448	
2	18w	632	752	

Technical Data

Model range

Standard Fluorescent

- Size 1 1 or 2 x 11w max PL-S T4 @ Ta 52
- 1 or 2 x 26w max PL-T T5 @ Ta 40
- Size 2 1 or 2 x 36w max PL-L T6 @ Ta 40
- 1 or 2 x 55w max PL-L (HF only) T6 @ Ta 40

Emergency Fluorescent

- Size 1 1 x 11w max PL-S EM T4 @ Ta 52
- Size 2 1 or 2 36w max PL-L EM T6 @ Ta 40

Supply voltage

- Switch start 240v, 50Hz as standard.
- Electronic ballast 220-250v, 50/60Hz.
- Other voltages & frequencies on request including 110v, 50 or 60Hz options & DC central battery applications.

Control gear

Integral including ballast. Operating power factor on request.

Certification data

All options certified for -25°C.
Size 1 EEx d IIC glass or polycarbonate.
Size 2 EEx d IIC glass or polycarbonate.

Lamp source options

Other variations available on request.

Mounting facilities

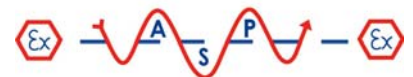
2 x M8 tapped holes - vertical and horizontal - at each end.

Cable entries

2 x M 20 - ISO (1 plugged) each end. Other thread forms on request.

Terminals

3 wire and earth. Cable size 4 mm² max with looping.



Finish	2 pack aqua epoxy paint on pre-treated and primed surface.			
Material	Corrosion resistant anodised light alloy body & covers, polycarbonate or glass overtube.			
Protective guards	An overhead canopy and/or wire guard are available on request.			
Weight	Single		Twin	
	Polycarbonate	Glass	Polycarbonate	Glass
	Size 1	4.0kg	5.3kg	4.5kg
	Size 2	6.0kg	8.6k	6.5kg
Mounting accessories	Various mounting accessories available.			
Other options	Addressable control; photocell device; in-line fuse protection; through wiring.			

How To Order

Product codes for standard luminaires are formed as follows:

Series Ref.	No. of tubes	Power (watts)	Size (Fitting length in feet)	Voltage	Frequency
7	1 or 2	e.g. 36	e.g. 4	e.g. 240	e.g. 50
and written: 7236 / S4 / 240 / 50					

Special features

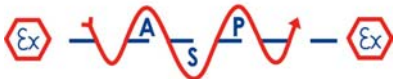
Specified using the following codes:

/TW	Through wiring(except 8w)
/GL	Glass body for solvent/paint areas
/LP	Lacquered polycarbonate body for solvent/paint areas
/HF	High frequency ballast
/R	Rapid start
/Pg	Pg 13.5 cable entries
/WG	Wire Guard
/SC	Sun canopy
/CF	Compact fluorescent
/PC	Pole clamp
/PM	Pendant mounting
/B	Vibration resistant base mounted lamps (Twins only)

These are added to the product codes as required: e.g. 7236 / S4 / 240 / 50 / PM

Supplied by:

A.S.P. Electro-Technology Ltd



39 London Road, Hinckley, LE10 1HQ. U.K.
 Tel: +44 (0)1455 635796 Fax: +44 (0)1455 251110
 Email: sales@asp-electro-tech.com
 Web: asp-electro-tech.com

This publication is not intended to form the basis of a contract. All the above specifications, dimensions, weights, tolerances etc are typical and may be varied or changed by the manufacturer without prior notice. A.S.P. Electro-Technology accept no liability for consequence of use.