

6 Series EEx de "Fit & Forget" Wellglass Luminaire



Features

- ✘ 100,000 hours majority lifetime
- ✘ Optional external reflector or wire guard
- ✘ Optional pivot bracket for directional control

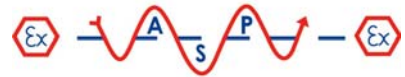
Certification & Approval

Certification Code:	EEx de IIC T5 (Dependent on lamp source - see data)
Certification Standard:	EN50014-018-019
Certificate Number:	SIRA 00 ATEX 1047
Degree of Protection:	IP 66 to IEC 529

Technical Data

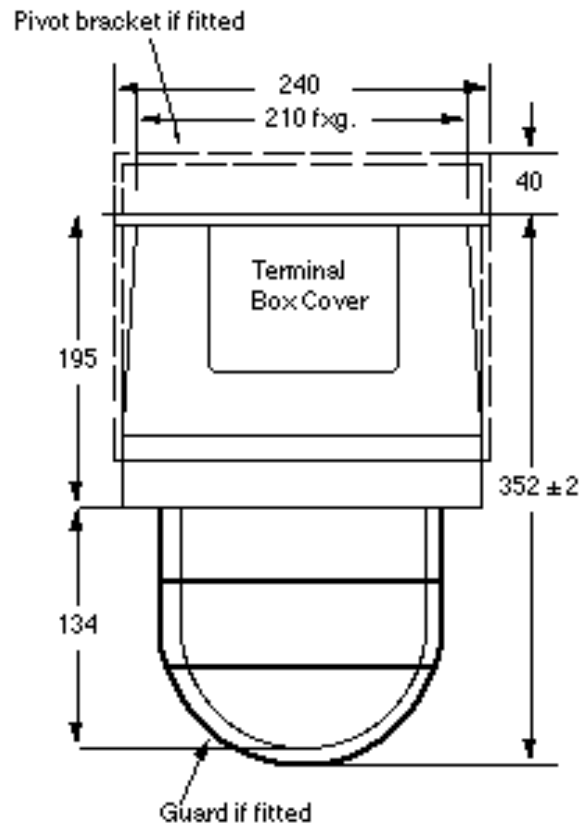
Supply voltage	<ul style="list-style-type: none">• Standard product 220-240V, 50/60Hz.• Also, 110-127v with power factor 0.96.
Control gear	<ul style="list-style-type: none">• Integral within the luminaire.





Mounting facilities	Fixed strap as standard. Pendant or pivot bracket available.
Cable entries	<ul style="list-style-type: none">• 2 x M 20 - ISO (1 plugged) as standard.• Other thread forms available.
Terminals	<ul style="list-style-type: none">• 4 wire and Earth with looping facility. Cable size 4 mm² max.
Operating temperature	<ul style="list-style-type: none">• -20°C to +40°C as standard.
Reflector	<ul style="list-style-type: none">• Internal polished aluminium. External reflector available at extra cost.
Access for connections	<ul style="list-style-type: none">• Removable EEx e terminal cover with 4 stainless steel screws.
Finish	<ul style="list-style-type: none">• 2 pack aqua epoxy paint on pre-treated & primed surface.• Alternative finishes available.
Material	<ul style="list-style-type: none">• Corrosion resistant light alloy to BS1490 as standard.
Protective guard	<ul style="list-style-type: none">• Wire guard available at extra cost.

Please contact us for any technical advice you may require including photometric details



Supplied by:

A.S.P. Electro-Technology Ltd
Specialist Suppliers of Hazardous Area Certified
Electrical Products & Instrumentation

39 London Road, Hinckley, LE10 1HQ, U.K.
Tel: +44 (0)1455 635796 Fax: +44 (0)1455 251110
Email: sales@asp-electro-tech.com Web: asp-electro-tech.com



This publication is not intended to form the basis of a contract. All the above specifications, dimensions, weights, tolerances etc are typical and may be varied or changed by the manufacturer without prior notice. A.S.P. Electro-Technology accept no liability for consequence of use.