



# EVOLUTION Zone 1&2 FLOODLIGHT - Flameproof

The revolutionary Evolution concept is now highly valued for many applications where its use achieves optimum lighting levels with minimum maintenance costs. There are no exposed flameproof paths. The only essential flameproof path at the lampholder spigot is contained within the increased safety control gear and terminal chamber located at the end of the main flameproof lamp enclosure. This is accessed by a single captive screw in the hinged cover.

The protection is Ex de for ignitable gas applications and is dust excluding IP6X for use in ignitable dust applications. The ATEX Categories are 2 G and 2 D. Lamps up to 400W can be used and extended up to 600W with a separate Ex e control gear box.

Explosion protection for gas group IIC (Hydrogen) is standard and a low temperature version for gas group IIB at -50°C is available.

## Ex d Pendant High Bay

The Pendant version has simple mounting points and is designed for use in high bay applications.

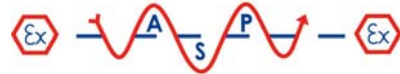
## Standard Specification

- Type of Protection: Ex de (Flameproof Increased Safety) Dust protected enclosure
- ATEX Classification: Group II Category 2 G D
- Area Classification: Zone 1 and Zone 21 areas to EN 60079-10 and EN 50281-3 with installation to EN 60079-14 and EN 50281-1-2 Gas Groups IIA, IIB and IIC
- Apparatus Standard: EN 50014 EN 50018 EN 50019 EN 50281-1-1
- Certificate: EC Type Examination Certificate BAS98ATEX2373
- Coding: II 2 G D EEx de IIC (refer to table for T rating and Ambient)
- Enclosure: Aluminium alloy LM6 to BS 1490  
All fastenings stainless steel. Toughened glass window
- Reflector: Wide beam, high purity anodised aluminium
- Entry: 2 x M20 cable entries
- Termination: 3 core 6mm<sup>2</sup> max. conductor with looping
- Installation: Stirrup mounting bracket with aiming quadrant
- Control Gear: Internal copper/iron with PFC correction capacitor and timed ignitor
- Relamping: Access via hinged end cover on release of single screw
- Lampholder: E40 (R7s for linear Tungsten-Halogen)
- Lamp Type: HPS, Metal Halide or Tungsten-Halogen
- Burning Position: Universal for HID, +/-45° on horizontal plain for Tungsten-Halogen lamps
- Ingress Protection: IP66/67 to EN 60529
- Electrical Supply: 110, 120, 220, 230, 240, 254V 50Hz HPS & Metal Halide  
24V - 254V ac/dc linear Tungsten-Halogen (500W)  
110V - 254V single ended Tungsten-Halogen



## Features

- Installation in gas groups IIA, IIB and IIC
- Easy and quick access for maintenance
- Simple, rapid lamp replacement and flamepath inspection
- Reduced maintenance due to no exposed flamepath
- Exceptional photometric efficiency
- Effective light distribution for many applications
- Gost Approved
- Cepel Approved
- IEC Ex Approved
- CSA Approved



Std. Cat No.	Wattage	Lamp	Lampholder	T Class (Gas)	T °C (Dust)	Ambient °C	Weight
EVOD/150/MS	150W	HPS and Metal Halide	E40	T4 T3	130 175	40 55	28kg
EVOD/250/MS	250W	HPS and Metal Halide	E40	T4 T3	130 175	40 55	28.5kg
EVOD/400/MS	400W	HPS and Metal Halide	E40	T3	175	55	28.5kg
EVOD/600/HS*	600W	HPS	E40	T3	195	35	25kg
EVOD/500/TH	500W	Single Ended T/Halogen	E40	T3	195	40	25kg
EVOD/500/TL	500W	Linear T/Halogen	R7s	T3	195	55	25kg

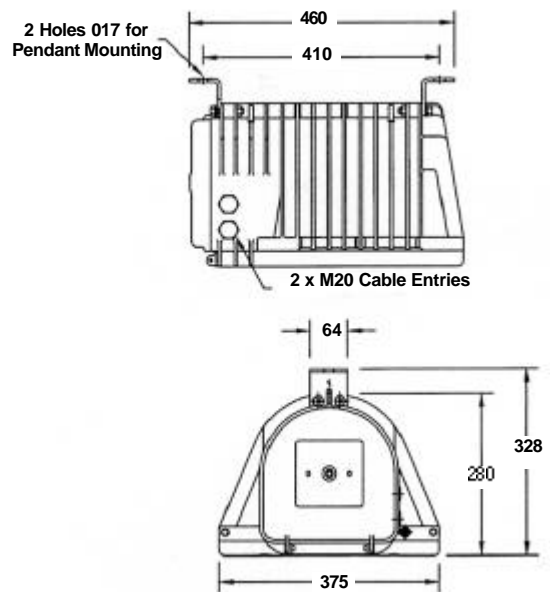
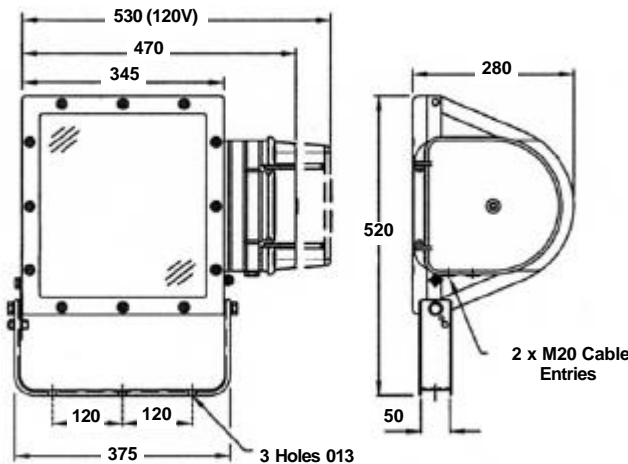
For Pendant substitute EVPD for EVOD

\*Ignitor only fitted.

Remote Universal gear box required - see page 58 for details

**Options - Suffix to Catalogue No.**

/120	120V (Weight increase of +12kg) (Extended end cover)
/60	60Hz
/M25	M25 Entries
/N	Narrow beam reflector
/M	Medium beam reflector
/P	PTFE coating
/LT	Low temperature version -50°C (Gas groups IIA and IIB only)
/D	Dust protected (Only marked for dust when this option is added)



NOTE: 120V version utilises deeper end cover (as shown above)

**Accessories (Should be ordered separately)**

**Catalogue Order Code**

284 retrofit bracket (allows Evolution to pick-up 284 fixings)	SEV01-0001
Pole mounting brackets	SEV04-0001
Anti-glare shield	SEV04-0002
Wire guard	SEV04-0003
Swing jib damper assembly	SEV01-0015
Swinging jib bracket assembly	SEV04-0009
120V Swinging jib bracket assembly	SEV04-0012

**Supplied by:**

**A.S.P. Electro-Technology Ltd**

39 London Road, Hinckley, LE10 1HQ. U.K.

Tel: +44 (0)1455 635796 Fax: +44 (0)1455 251110

Email: sales@asp-electro-tech.com Web: asp-electro-tech.com



This publication is not intended to form the basis of a contract. All the above specifications, dimensions, weights, tolerances etc are typical and may be varied or changed by the manufacturer without prior notice. A.S.P. Electro-Technology accept no liability for consequence of use.