



0961 05



0961 18

For non-armoured cable 2.5/4 mm² - 660 V

- High impact resistance polycarbonate body and cover
- Equipped with :
 - 4 interconnected internal earth terminals – maximum capacity per terminal (1 x 4 mm²)
 - 4 connection terminals – maximum capacity per terminal (4 x 2.5 mm² or 2 x 4 mm² + 2 x 2.5 mm²) – minimum capacity per terminal (2 x 1.5 mm²)

Catalogue numbers

External dimensions	Weight (Kg)	Volume (dm ³)	Cat. No.	Pack
136 x 125 x 50 mm				
4 entries via integrated cable gland 16 P grip Ø on seal: 8 to 16 mm Knock-out cable gland cap can be used as a plug Important: provide an additional cable grip device	0.4	2	0961 05	1
4 entries for cable gland PG16 not supplied (Cat. No. 0956 02) grip Ø on seal: 6.5 to 14.5 mm	0.4	2	0961 03	1

For non-armoured cable 6/10 mm² - 690 V ~

- High impact resistance polycarbonate body and cover
- Telescopic cover retaining pin (can be unclipped)
- Equipped with:
 - 4 interconnected internal earth terminals – maximum capacity per terminal (1 x 10 mm²)
 - 4 connection terminals – maximum capacity per terminal (4 x 6 mm² or 3 x 10 mm² + 4 mm²)

Catalogue numbers

External dimensions	Weight (Kg)	Volume (dm ³)	Cat. No.	Pack
121 x 121 x 72 mm				
3 entries - supplied with 3 x M20 cable glands (sealed and grip Ø from 6 to 14.5 mm)	0.6	4.5	0961 12	1
4 entries - supplied with 4 x M20 cable glands (sealed and grip Ø from 6.5 to 14.5 mm)	0.6	4.5	0961 13	1
3 entries - supplied with 3 x M25 cable glands (sealed and grip Ø from 8 to 18.5 mm)	0.5	4.5	0961 18	1
4 entries - supplied with 4 x M25 cable glands (sealed and grip Ø from 8 to 18.5 mm)	0.6	4.5	0961 19	1

- **Earth continuity adaptor (see page 261)**
- **Increased safety cable glands (pages 258-259)**

Part number in bold : fast moving references

Zones 1 & 2 - 21 & 22	ATEX	IEC	EC	II 2 G/D
EEx e II	T6	T = 60 or 65°C	IP66	IK10

TECHNICAL DATA

Zones :

- 1 and 2 and 21 - 22

Classification :

- According to CENELEC :
 - Conforming to ATEX Directive 94/9 EC and standards EN 50014-19
 - EC 0081 II 2 G for gas EEx e II T6
 - EC 0081 II 2 D - T = + 60°C (0961 03/05), "for dust"
T = + 65°C (096118/19/12/13)
- According to IEC :
 - Conforming to standards IEC 60049-0/7 Ex e II T6
 - DIPA 21 TA = + 60°C (0961 03/05)
 - DIPA 21 TA = + 65°C (0961 18/19/12/13)

Certification :

Cat. Nos.	Approved type	CENELEC	IEC	EC declaration of conformity
0961 03/05	BJe1	02 ATEX 6069	Ex 02.008	50226
0961 18/19 12/13	BJe2	99 ATEX 6003	Ex 99.005	50209

- Conforming to standards EN 50281-1-1 and IEC 61241-1-1 "combustible dust"

Protection index :

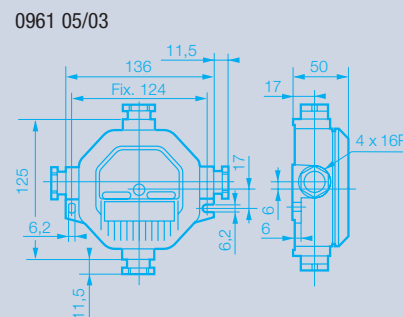
- IP66 according to EN 60529 and IEC 60529
- IK10 mechanical resistance according to EN 50102

Anticorrosion treatment and climate protection : see page G50

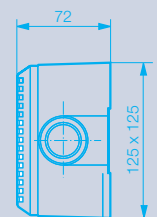
Operating temperature :

- 50°C to + 55°C (BJe1) and - 40°C to + 55°C (BJe2)

Dimensions (mm) :



0961 18/19/12/13



0961 18/19/12/13

