

## SOUNDERS – Up to 103 dB(A) - DB5 Range

Intrinsically Safe (EExia), Weatherproof.

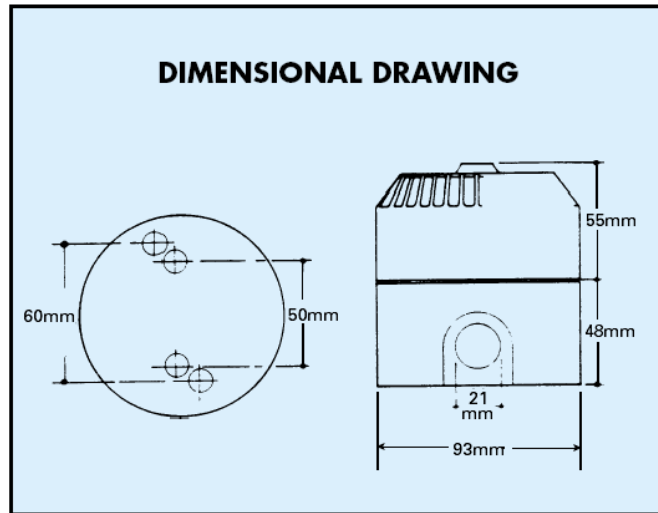


### Introduction

This range of light weight, intrinsically safe Sounders has been designed with a high weatherproof rating to cope with the harsh environmental conditions found offshore and onshore in the oil, gas and petrochemical industries.

The unit is available in 2 models: 12V and 24V.

- Zone 0, Zone 1 and Zone 2 use.
- EExia T4.
- ATEX approved Ex II 1G & Ex 1 M1.
- CENELEC approved.
- BASEEFA certified.
- FM Approved – Class I, Div. 1, Groups A-D.
- CSA certified.
- IP65.
- Certified temperature –20°C to +55°C.
- Volume control as standard.
- Up to 103 dB(A).
- 26 different sound outputs, user selectable by internal switches.
- Encapsulated electronics.
- Second tone selectable using third wire.



## Specification

Certification:	<ol style="list-style-type: none"> <li>BASEEFA, EN50014 and EN50020 &amp; EN50284, EExia IIC T4. 12/24V version Cert. No. BAS00ATEX, 1259 (unit) and 01E2024 (system).</li> <li>HSE(M) to EN50014 EN50020 and EN50303, EExia 1 Cert. No. MECS01ATEX4260 (unit) and 94Y7095 (system).</li> <li>FM Approved to Class 1, Div 1 groups A, B, C and D. J.I. 3008604. Refer to FM Datasheet at rear of catalogue for complete information</li> <li>CSA to C22.2 Nos. 0, 0.4, 0.5, 25, 30, 205., Class 1 groups A, B, C and D., Cert. No. 79122.</li> </ol>
Material:	A.B.S. (Acrylonitrile Butadiene Styrene).
Finish:	Available in Red as standard.
Certified Temperature:	-20°C to +55°C.
Weight:	0.3 kg.
Entries:	Up to 1 x 21mm Ø hole on each side via knockouts or 1 x 21mm Ø rear.
Terminals:	6 off suitable to accept up to 2.5mm <sup>2</sup> cable, for looping.
Sound Output:	100± 3dB(A) for 12V and 24V versions. Typical max value only – variable with tone
.	Tones comply with BS 5839 Part 1.
Current Consumption	24V model – 14 mA max. nominal.
	12V model – 12 mA max. nominal.

## Ordering Requirements

The following code is designed to help in selection of the correct unit. Build up the reference number by inserting the code for each component into the appropriate box. **Standard products, available ex-stock, as follows:**

**DB5B012NR** Intrinsically safe, ATEX approved Ex II 1G, certified EExia IIC T4, Zones 0, 1 & 2, 103 dB(A), 12V d.c., choice of 26 tones, up to 3 x 20mm entries, natural red ABS plastic.

**DB5B024NR** Intrinsically safe, ATEX approved Ex II 1G, certified EExia IIC T4, Zones 0, 1 & 2, 103 dB(A), 24V d.c., choice of 26 tones, up to 3 x 20mm entries, natural red ABS plastic.

Unit Type	Certification	Voltage	Tag Labels	Finish																														
DB5	<input type="text"/>	<input type="text"/>	<input type="text"/>	<input type="text"/>																														
	<table border="1" style="margin: auto;"> <thead> <tr> <th>Certification</th> <th>Code</th> </tr> </thead> <tbody> <tr> <td>*BASEEFA GP 1</td> <td>M</td> </tr> <tr> <td>BASEEFA GP 2</td> <td>B</td> </tr> <tr> <td>FM</td> <td>F</td> </tr> </tbody> </table>	Certification	Code	*BASEEFA GP 1	M	BASEEFA GP 2	B	FM	F	<table border="1" style="margin: auto;"> <thead> <tr> <th>Voltage</th> <th>Code</th> </tr> </thead> <tbody> <tr> <td>12V</td> <td>012</td> </tr> <tr> <td>24V</td> <td>024</td> </tr> </tbody> </table>	Voltage	Code	12V	012	24V	024	<table border="1" style="margin: auto;"> <thead> <tr> <th>Tag Label</th> <th>Code</th> </tr> </thead> <tbody> <tr> <td>None</td> <td>N</td> </tr> <tr> <td>Yes</td> <td>Y</td> </tr> <tr> <td>(Please specify)</td> <td></td> </tr> </tbody> </table>	Tag Label	Code	None	N	Yes	Y	(Please specify)		<table border="1" style="margin: auto;"> <thead> <tr> <th>Finish</th> <th>Code</th> </tr> </thead> <tbody> <tr> <td>Red</td> <td>R</td> </tr> <tr> <td>Special</td> <td>S</td> </tr> <tr> <td>(Please specify)</td> <td></td> </tr> </tbody> </table>	Finish	Code	Red	R	Special	S	(Please specify)	
Certification	Code																																	
*BASEEFA GP 1	M																																	
BASEEFA GP 2	B																																	
FM	F																																	
Voltage	Code																																	
12V	012																																	
24V	024																																	
Tag Label	Code																																	
None	N																																	
Yes	Y																																	
(Please specify)																																		
Finish	Code																																	
Red	R																																	
Special	S																																	
(Please specify)																																		
	*12V only																																	

Supplied by:

**A.S.P. Electro-Technology Ltd**  
Specialist Suppliers of Hazardous Area Certified  
Electrical Products & Instrumentation

39 London Road, Hinckley, LE10 1HQ. U.K.  
Tel: +44 (0)1455 635796 Fax: +44 (0)1455 251110  
Email: [sales@asp-electro-tech.com](mailto:sales@asp-electro-tech.com) Web: [asp-electro-tech.com](http://asp-electro-tech.com)



This publication is not intended to form the basis of a contract. All the above specifications, dimensions, weights, tolerances etc are typical and may be varied or changed by the manufacturer without prior notice. A.S.P. Electro-Technology accept no liability for consequence of use.