

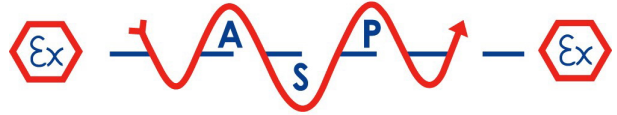


DNH^{AS}

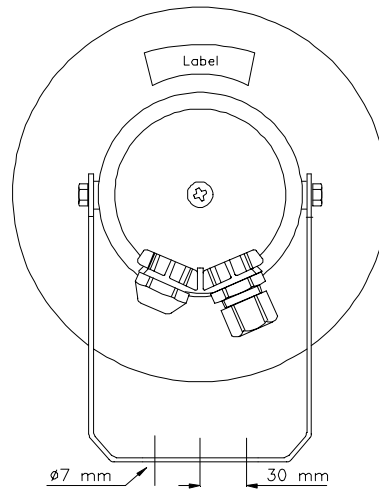
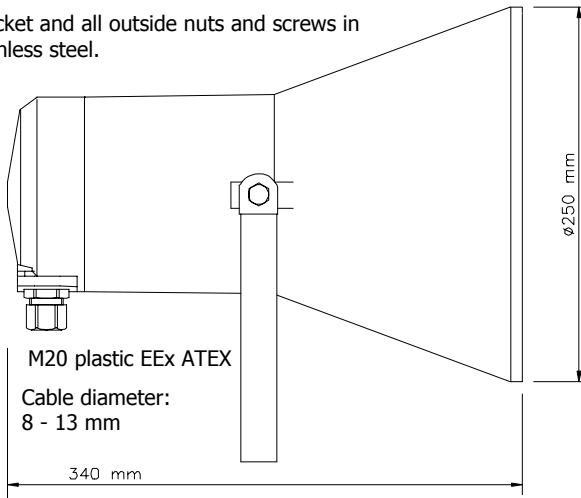
Distributor:
 A.S.P. Electro-Technology Ltd
 39 London Road
 Hinckley, LE10 1HQ, UK
 Tel: 01455 635796 Fax: 01455 251110
 E-mail: sales@asp-electro-tech.com

ISO 9001 CERTIFIED

DSP-25 EExmN(T)



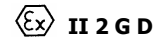
Bracket and all outside nuts and screws in stainless steel.



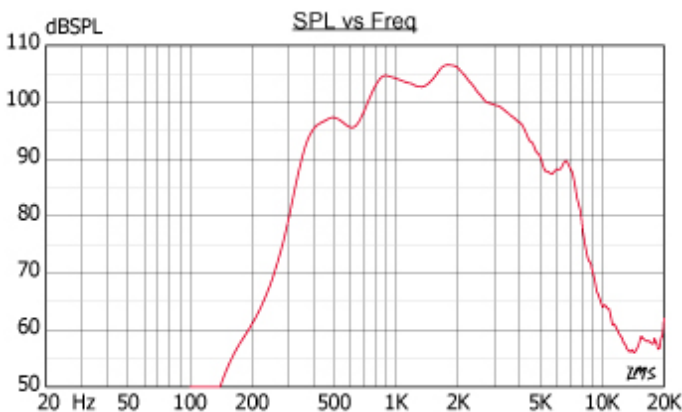
Transformer:
100 Volt line

Primary nominal
 tapings:
 1 : 2 25,0 W
 2 : 3 12,5 W
 3 : 4 6,0 W
 1 : 3 4,0 W
 2 : 4 2,0 W
 1 : 4 1,0 W

Certified by / Certification code / Number: NEMKO / EEx dem IIB+H₂ T5 / 01 ATEX 235
 Certified by / Certification code / Number: NEMKO / EEx dem IIC T5 / 01 ATEX 235



1W/1m Sine wave smooth 1/3 octave
 (Curve shows DSP-25 EExmN IIB+H₂ version)



	IIB	IIC
Material / Colour	Anti-static polyamide / black	
Mounting	Bracket	
Termination	e-chamber, screw terminals	
Weight	4,0 kg	
IP-rating	66	
Max. / min. amb. temp	55 °C / -53 °C	
Standard version	100 V transformer	
Rated / max. power	25 W / 25 W	
SPL 1W/1m	106 dB	102 dB
SPL rated power	117 dB	114 dB
Effective freq. range	370 – 7000 Hz	400-7000
Dispersion (-6dB) 1kHz / 4kHz	110° / 30°	100° / 30°
Directivity factor, Q		

Installation, Operation and Maintenance Procedures

- When mounting the loudspeaker please ensure that it is re-assembled in the same manner in which it was received.
- To change the position of the loudspeaker please adjust the bracket (by loosening / tightening the screws) as required.
- For optimum performance, always use the correct voltage / power and operate within the frequency limits as stated.
- Use only certified/specified cable glands and blanking plugs.
- Do not open loudspeaker when energized.
- The loudspeaker should be checked on a regular basis to avoid any build up of debris.
- Fasten lid with a torque of 2 - 3 Nm.
- This loudspeaker is supplied with a 2 year warranty against defective workmanship.

Most of our products are available in different colors, impedances and power ratings.



DNH reserves the right to alter specifications without notice.

Rev. 03.12.2003