

5 JOULE XENON BEACONS - XB11 RANGE

EExd, Weatherproof

Introduction

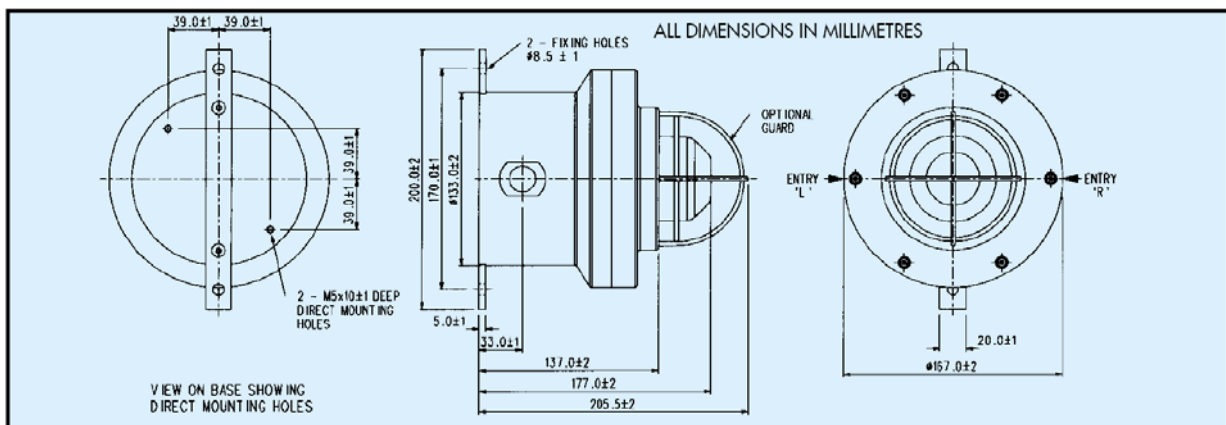
These certified beacons have been designed for use in potentially explosive gas and dust atmospheres and harsh environmental conditions. The glass reinforced polyester enclosures are suitable for use offshore or onshore, where light weight combined with corrosion resistance is required.

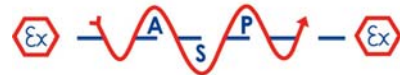
The beacon housing is manufactured completely from a U.V. stable, glass reinforced polyester. Stainless steel screws and mounting bracket are incorporated ensuring a totally corrosion free product.

Units can be painted to customer specification and supplied with identification labels.



- Zone 1 and Zone 2 use.
 - EExd IIB T4, T5 & T6.
 - ATEX approved, Ex II 2GD.
 - CENELEC approved.
 - BASEEFA certified.
 - UL Listed for USA and Canada
 - Hazardous locations:
 - Class I, Div 2, Groups C & D.
 - Class I, Zones 1 & 2, AExd IIB T4/T5.
 - Ordinary locations: Visual-Signal Device.
 - Australian (SAA) certified.
 - IP66 and IP67.
 - Certified temperature -55°C to $+70^{\circ}\text{C}$.
 - Corrosion resistant GRP.
 - Optional stainless steel backstrap.
 - Various lens colours.
 - Optional lens guard.
 - Optional telephone initiation.
 - 2 x M20 cable entries or 2 x 1/2" NPT*.
 - Earth continuity option (model dependent).
 - Filament version (20W) available†.
 - Fluorescent version (10W) available†.
 - Beacon/Sounder Combination Unit available.
- *Model dependent.
 †See FL11, FB11, FL12, FB12 data sheet.





Specification

Certification: CENELEC EN50014 and EN50018.
 Cert. No. BAS99 ATEX 2195X.
 EExd IIB 135 C (-55 t.amb +70 C) T4.
 100 C (-55 t.amb +55 C) T5.
 85 C (-55 t.amb +40 C) T6.

UL Listed for USA and Canada to:
 – Hazardous locations:
 Class I, Div 2 Groups C & D.
 Class I, Zones 1 & 2 AExd IIB T4/T5.
 UL Listing No: E187894.
 – Ordinary locations: Visual-Signal Device.
 UL listing No. S8128.
 Refer to UL Datasheet at rear of catalogue for complete information.

Material: Body: – Glass reinforced polyester (GRP).
 Lens: – Glass.
 Cover Screws + Backstrap: – Stainless steel 316.

Finish: Natural black or painted to customer specification.

	DC	AC50/60 Hz	
Voltage	24	110	240
XB11 Tube Energy (Joules)	5	5	5
Peak Current Consumption (mA)	320	100	60
Effective Intensity (Cd)	29	29	29
Peak Intensity (Cd)	22213	22213	22213
Power Consumption (Watts)	8	11	18

NOTE: The Cd figures are for a clear lens @ 1Hz flash rate.

FOR COLOURED LENSES

Colour	Red	Blue	Amber	Green	Yellow
Multiplying Factor	0.15	0.12	0.51	0.49	0.86

The photometric data has been verified by BSI.
 A report is available if required.

Weight: 2.5Kg.

Certified Temperature: EExd –55 C to +70 C (T4).
 –55 C to +55 C (T5).
 –55 C to +40 C (T6).
 UL –55 C to +70 C.

Ingress Protection: IP66 & IP67.

Fire Retardancy: GRP is fire retardant to ISO 1210.

Earth Continuity: Optional for metal glands provided via a brass plate. (Not available for UL version).

Terminals: 6 x 2.5mm².

Telephone initiation: Initiation by telephone ringing tone.

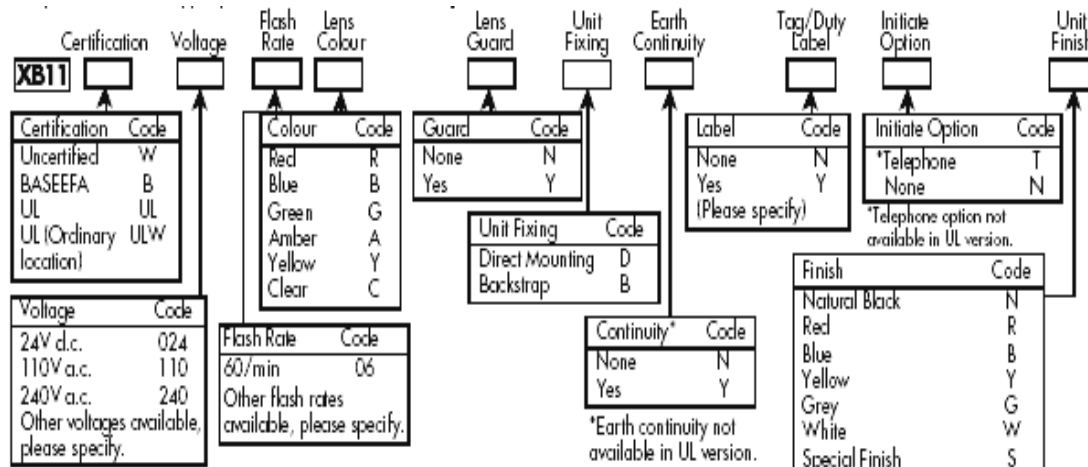
Labels: Duty/Tag Label optional.

Entries: 2 x 20mm ISO EExd.
 2 x 1/2" NPT UL.

Beacon/Sounder Unit: The beacon may be combined with an MEDC sounder to create a visual/audible alarm. Contact MEDC for price and specification.

Ordering Requirements

The following code is designed to help in the selection of the correct unit. Build up the reference number by inserting the code for each component into the appropriate box. **For standard products, available ex-stock, contact sales office for details.**



Supplied by:

A.S.P. Electro-Technology Ltd
 Specialist Suppliers of Hazardous Area Certified
 Electrical Products & Instrumentation

39 London Road, Hinckley, LE10 1HQ. U.K.
 Tel: +44 (0)1455 635796 Fax: +44 (0)1455 251110
 Email: sales@asp-electro-tech.com Web: asp-electro-tech.com



This publication is not intended to form the basis of a contract. All the above specifications, dimensions, weights, tolerances etc are typical and may be varied or changed by the manufacturer without prior notice. A.S.P. Electro-Technology accept no liability for consequence of use.