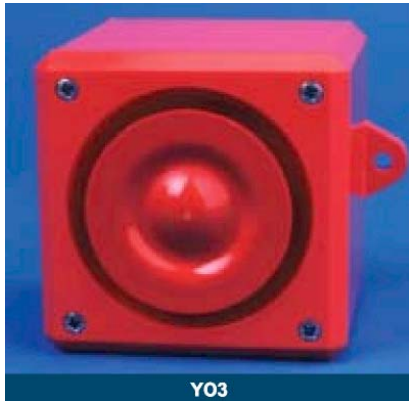
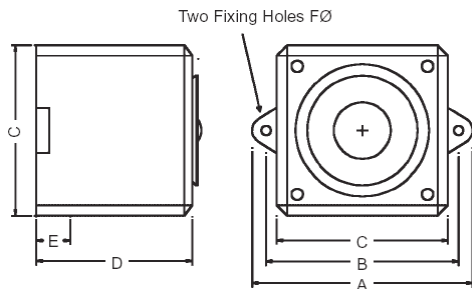


# Y03 Sounder - 100dB(A)



Y03

### Dimensions (mm):



| Dimensions (mm) |     |       |    |
|-----------------|-----|-------|----|
| Dim A           | 118 | Dim D | 85 |
| Dim B           | 102 | Dim E | 18 |
| Dim C           | 89  | Dim F | 6  |

M20 Cable Mounting hole at Dim E

*All dimensions quoted are approximate only and subject to change without notice as are technical features resulting from continual development and improvement.*

### Industrial Audible Alarm

#### MAIN FEATURES

- 2 stage alarm
- 3 wire polarised DC (Not Multivoltage option) & AC, or 2 wire bi-polar for DC only 24V dc models only
- 3 wire AC second stage control
- Complies with BS 5839 Pt.1: 2002
- Flame-retardant ABS plastic enclosure
- Stainless steel fixings
- Continuously rated
- 32 selectable tones meeting international regulations
- Sound selection via 5 way DIL switch (see Tone Table)

#### TECHNICAL SPECIFICATION

- Operating temperature range -25 deg C to +55 deg C
- Storage temperature range -40 deg C to +70 deg C
- Operating Voltage
  - 24Vdc (12 – 35Vdc), 48Vdc
  - 115Vac, 230Vac +/- 10%
- Multivoltage options (Sounders only)
  - 24Vdc and 48Vdc (BT), 110Vdc (12Vdc versions will produce approx. 6dB less output)
- Max humidity (40deg C) 90% RH
- Sound output 100 dB(A) @ 1 mtr
- Approx weight 0.24 Kg
- IP 54 rated std, IP 65 (WR) to order
- Volume control allowing 18dB(A) adjustment
- Minimum current consumption 20mA
- Optional independent 2nd stage via second DIL switch

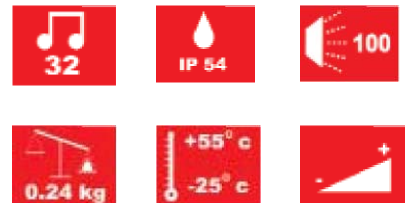
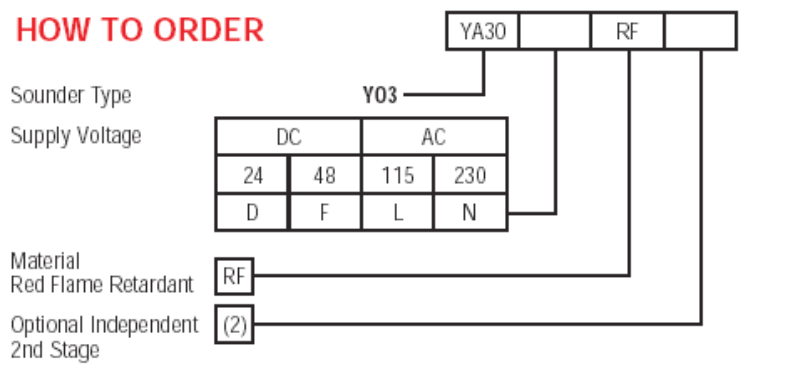
#### MOUNTING

The Y03 series alarm units should be mounted to a reasonably flat wall or bulkhead of suitable material using the lugs projecting from the side of the case. The lugs are bored 6mm clearance on 102mm centres. The minimum recommended length of fixing screws is 25mm. To maintain the integrity of the weather seal, the cable entry must be via a suitable sealed gland.

#### LINE MONITORING (DC ONLY) EXCLUDES MULTIVOLTAGE

- 3 Wire 2 stage or 2 wire single stage, monitor via reverse polarity
- 2 Wire 2 stage ie. bi-polar inputs, monitor via threshold (applied voltage <1V)
- End of line resistor. Minimum 3K3 ohm 0.5 watts, wire-wound or metal film type

### HOW TO ORDER



### Supplied by:

**A.S.P. Electro-Technology Ltd**



39 London Road, Hinckley, LE10 1HQ. U.K.  
 Tel: +44 (0)1455 635796 Fax: +44 (0)1455 251110  
 Email: [sales@asp-electro-tech.com](mailto:sales@asp-electro-tech.com)  
 Web: [asp-electro-tech.com](http://asp-electro-tech.com)



*This publication is not intended to form the basis of a contract. All the above specifications, dimensions, weights, tolerances etc are typical and may be varied or changed by the manufacturer without prior notice. A.S.P. Electro-Technology accept no liability for consequence of use.*