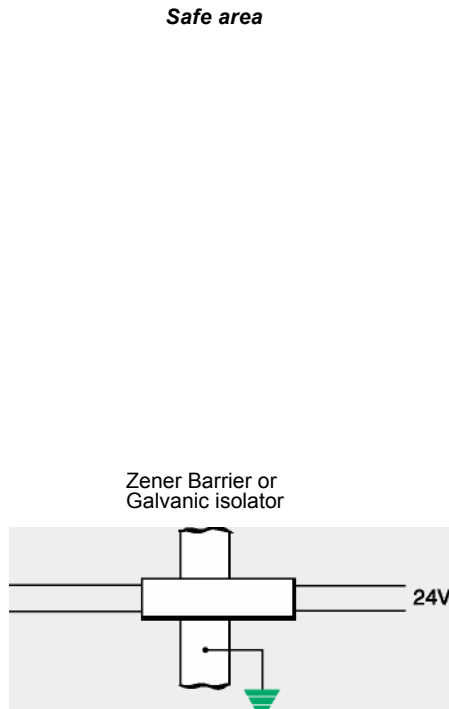
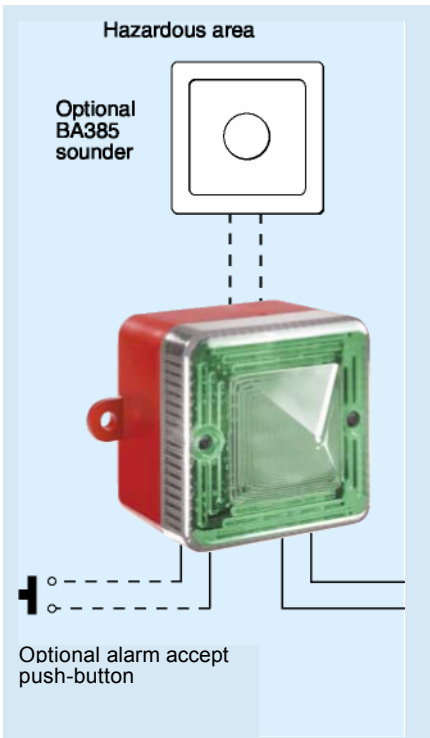


BA386 LED Flashing Beacon

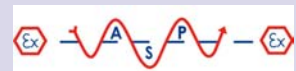


Intrinsically safe for use in all hazardous areas

- **Intrinsically safe ATEX & FM certification**
- **Red, amber, green blue & white models**
- **Two double flashes per second**
- **Incorporates alarm accept function to silence sounder for user adjustable time**
- **3 year guarantee**



Supplied By:
A.S.P. Electro-Technology
INFORMATION SHEET



T: +44 (0)1455 635796 F: +44 (0)1455 251110
Email: sales@asp-electro-tech.com
www.asp-electro-tech.com

The **BA386** is an intrinsically safe field mounting beacon which produces a bright flashing warning signal in a hazardous area. This beacon is significantly less expensive than the traditional Xenon devices, although it has a similar light output, flashes more frequently and is available in five different colours.

The **beacon** may be used alone, or in conjunction with a BA385-IIB or BA385-IIC intrinsically safe sounder. The high efficiency of the BA386 enables the beacon and the sounder to be powered from a common Zener barrier or galvanic isolator. In combined systems this eliminates one barrier or isolator and associated wiring, thus simplifying the installation and further reducing cost.

Alarm accept is another unique feature of the BA386 which in combined systems enables the sounder to be silenced for a pre-set time leaving the beacon flashing twice per second. The alarm is accepted by momentarily closing a pair of external contacts, such as a push-button which may be located in the hazardous or the safe area. The sounder silence time may be pre-set for between 1 and 30 minutes.

Main application of the BA386 beacon is to provide a visible warning in a noisy hazardous process area where a sounder is not easily identified. The beacon may be powered from a wide variety of Zener barriers or galvanic isolators and may be controlled by any contact or dc supply in the safe area. It may also be switched in the hazardous area by an intrinsically safe relay or any equipment with an intrinsically safe output such as the alarm output of a indicator or totaliser.

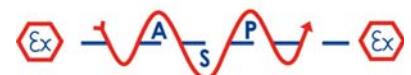
When the **BA386 beacon** is used in conjunction with a BA385-IIB or BA385-IIC intrinsically safe sounder it forms a combined audio visual alarm with integral sounder silence facilities. It is ideal where an operator needs to be advised that an alarm condition has occurred, but wishes to silence the intrusive audible warning. If the alarm condition is not corrected during the silence period, the sounder will be re-activated when the pre-set silence time has expired.

ATEX intrinsic safety certification permits installation in Zones 0, 1 or 2. The supply terminals comply with the requirements for simple apparatus allowing the beacon to be controlled by a wide variety of certified intrinsically safe circuits.

The **flame retardant enclosure** provides IP56 protection and is suitable for external mounting in sheltered locations. Cable entry is via 20mm untapped holes in the sides of the enclosure and there is a 'knock-out' in the rear for an additional entry.

When used with a BA385-IIB or BA385-IIC sounder, the beacon may be mounted onto the base of the sounder to form a combined assembly, or may be mounted separately.

Reliability is ensured by an ISO9001 approved quality control system supported by a three year guarantee. The BA386 is protected from input overloads and reverse connection and complies with the European EMC Directive.

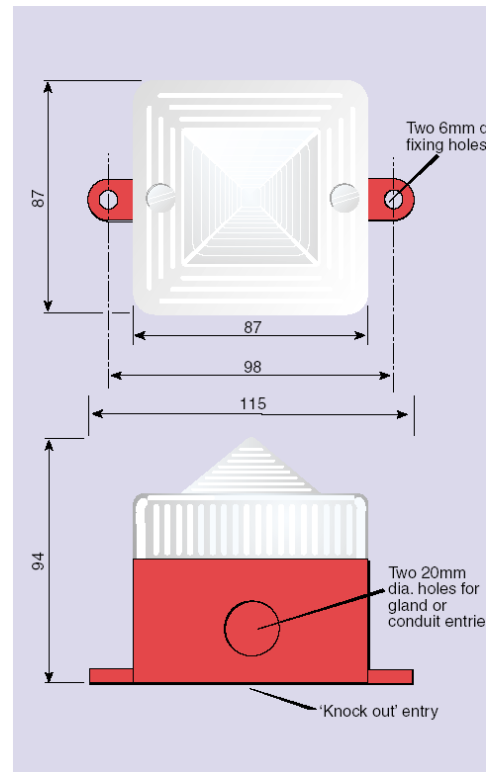




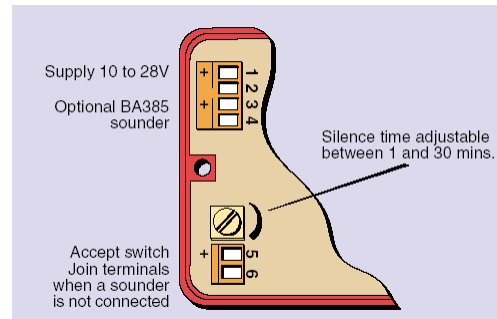
Specification:

Power supply	
Voltage	10 to 28V (across terminals 1 & 2) Not damaged by temporary connection to the supply without a Zener barrier or galvanic isolator in circuit.
Current	When powered from 24V supply via 28V 300Ω Zener barrier. 25mA typical 40mA typical
Output	
Brightness	Equivalent to 0.5 Joule xenon beacon
Frequency	2Hz (2 double flashes per second)
Alone	
With BA385 sounder	1Hz (1 double flash per second) 2Hz (2 double flashes per second)
on silenced (alarm accepted)	
Sounder output	Reduced by typically 2dB when used with beacon.
Response	
On time	First flash within 2 seconds of supply being connected.
Off time	Last flash less than 5 seconds after supply is removed.
Repeat alarm	To guarantee alarm accept status, supply should not be reconnected within 5 seconds of disconnection.
Intrinsic safety	
Europe ATEX	
Standard	EN50020:1994
Code	Group II Category 1G / EEx ia IIC T4
Cert. No.	ITS02ATEX2006 Ex02E2007 IIC system Ex02E2008 IIC system Ex02E2011 IIB system Ex02E2012 IIB system
Installation	May be powered from any certified Zener barrier or galvanic isolator whose output parameters do not exceed: <ul style="list-style-type: none"> • Uo 28Vdc • Io 110mA • Po 0.8W
Location	Zone 0, 1 or 2
Accept input terminals 5 & 6	May be connected to any mechanically activated switch having IP20 protection which is capable of withstanding an ac test voltage of 500Vrms to earth for one minute
USA FM	
Standard	3610 Entity
Code	
- Alone or with BA385-IIC sounder	CL.1, Div. 1, Gp. A, B, C and D
- With BA385-IIB sounder	CL.1, Div. 1, Gp. C and D
Temperature code	T4 at 60°C
File No	3014996
Standard	3611 Non-incendive. Alarm accept switch may not be used.
Code	
Alone or with BA385-IIC sounder	CL.1, Div. 2, Gp. A, B, C and D
With BA385-IIB sounder	CL.1, Div. 2, Gp. C and D
Temperature code	T4 at 60°C
File No	3014996
Environmental	
Operating temp	-20 to +60°C (certified for use at -40°C)
Humidity	To 95% @ 40°C
Enclosure	IP56
Mechanical	
Terminals	Removable with screw clamp for 0.5 to 1.5mm ² cable.
Weight	0.4kg
Accessories	
Tag strip	Thermally printed tag strip secured by screws.
Combining kit	Gasket and conduit fitting for mounting BA386 beacon onto bottom of BA385 sounder.

Dimensions (mm):



Terminal Connections:



How to Order:

Please specify	
Colour	Model number
Red	BA386R
Amber	BA386A
Green	BA386G
Blue	BA386B
White	BA386W

Accessories Please specify if required
Tag strip Legend
Combining kit for joining beacon & sounder. *

*Supplied free of charge on request when sounder and beacon are purchased at the same time

Supplied by:

A.S.P. Electro-Technology Ltd
Specialist Suppliers of Hazardous Area Certified
Electrical Products & Instrumentation

39 London Road, Hinckley, LE10 1HQ. U.K.
Tel: +44 (0)1455 635796 Fax: +44 (0)1455 251110
Email: sales@asp-electro-tech.com Web: asp-electro-tech.com



This publication is not intended to form the basis of a contract. All the above specifications, dimensions, weights, tolerances etc are typical and may be varied or changed by the manufacturer without prior notice. A.S.P. Electro-Technology accept no liability for consequence of use.