

Manual Call Point - BG3 Range
 Intrinsically Safe (EExia), Weatherproof.



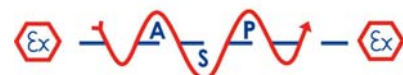
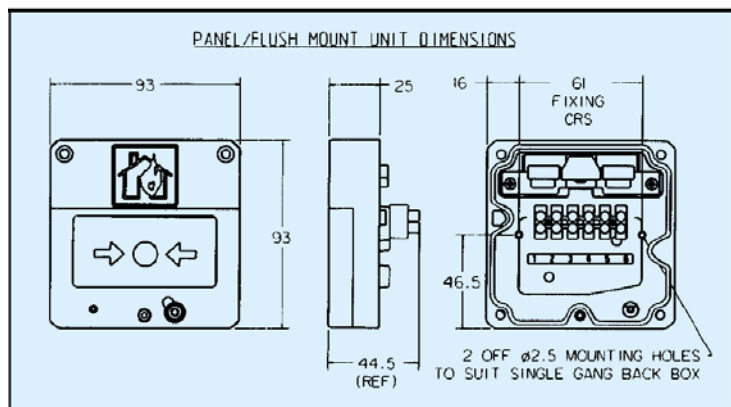
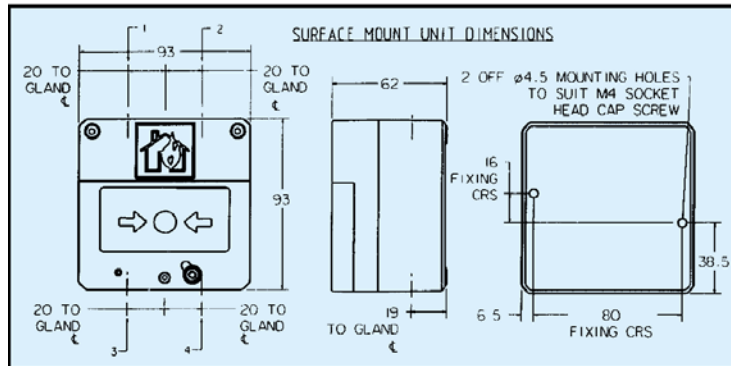
Introduction

This manual fire alarm call point is designed in accordance with the latest draft European Call Point Standard (EN54-11).

Weatherproof to IP66 and IP67 and certified intrinsically safe, the units are manufactured from glass reinforced polyester (GRP) which provides a robust, corrosion free construction and ensures effective and reliable operation in harsh industrial and offshore environments.

Units are supplied in self coloured GRP or painted to customer specification. 'Burning House' duty label is provided as standard, other duty and tag labels may be supplied to customer specification.

Features:





Technical Specification:

MODEL	BG3I	BG3W
PROTECTION	Explosion Protected Eexi (Intrinsically Safe)	Dust-tight & Weatherproof
CERTIFICATION	CENELEC EN50014, 020 BASEEFA EExia IIC T4 Cert No. BAS00ATEX1067X Suitable for use in Zones 0, 1 & 2	Not applicable
VOLTAGE	Up to 28V (IS)	Up to 250V a.c.
CERTIFIED TEMPERATURE	-55°C to +55°C	Not applicable
INGRESS PROTECTION	IP66 & IP67	IP66 & IP67
STANDARD FOR CALL POINTS	EN54-11	EN54-11
TERMINALS	6 x 4.0mm ²	6 x 4.0mm ²
SWITCH RATINGS	Not Applicable	DC: 0 - 30V 3A resistive or inductive 30V - 50V 1A resistive or inductive AC: 0 - 250V 3A resistive or inductive
RESISTOR VALUES	470R Minimum	270R Minimum
CABLE ENTRIES	2 x M20 top or bottom	2 x M20 top or bottom
WEIGHT	0.5Kg	0.5Kg
MATERIAL	UV resistant glass reinforced polyester	UV resistant glass reinforced polyester
FINISH	Natural GRP or painted*	Natural GRP or painted8
DUTY/TAG LABELS	Stainless steel as standard	Plastic as standard

- Note: Natural Red GRP may fade with exposure to sunlight – specify paint finish if unit is to be used outdoors.

Ordering Requirements:

The following code is designed to help in the selection of the correct unit. Build up the reference number by inserting the code for each feature into the appropriate box. **Standard products available ex-stock as follows:**

PRODUCT DESCRIPTION

BG3I1NBN - Intrinsically safe, certified EExia IIC T4, Glass Label 'Fire Break Glass Press Here', Duty Label 'Burning House', single switch, no features, 2 x 20mm bottom entry, natural red.

BG3W1NBN - Weatherproof, uncertified, Glass Label 'Fire Break Glass Press Here', Duty Label 'Burning House', single switch, no features, 2 x 20mm bottom entry, natural red.

Model	Certification	Labels	Features	Entries	Body Colour																																																																									
BG3																																																																														
<table border="1"> <thead> <tr> <th>Certification</th> <th>Code</th> </tr> </thead> <tbody> <tr> <td>EExia</td> <td>I</td> </tr> <tr> <td>Weatherproof</td> <td>W</td> </tr> </tbody> </table>	Certification	Code	EExia	I	Weatherproof	W	<table border="1"> <thead> <tr> <th>Label Type</th> <th>Code</th> </tr> </thead> <tbody> <tr> <td>Glass Label</td> <td></td> </tr> <tr> <td>Fire Break Glass 'Press Here'</td> <td>1</td> </tr> <tr> <td>Break Glass 'Press Here'</td> <td>2</td> </tr> <tr> <td>Special</td> <td>3</td> </tr> <tr> <td>European Standard (draft)</td> <td></td> </tr> <tr> <td></td> <td>4</td> </tr> <tr> <td>Duty Label (special)</td> <td>5</td> </tr> <tr> <td>(Burning House as standard)</td> <td></td> </tr> <tr> <td>Tag Label</td> <td>6</td> </tr> <tr> <td colspan="2">Specify wording on '3', '5' & '6'</td> </tr> </tbody> </table>	Label Type	Code	Glass Label		Fire Break Glass 'Press Here'	1	Break Glass 'Press Here'	2	Special	3	European Standard (draft)			4	Duty Label (special)	5	(Burning House as standard)		Tag Label	6	Specify wording on '3', '5' & '6'		<table border="1"> <thead> <tr> <th>Feature</th> <th>Code</th> </tr> </thead> <tbody> <tr> <td>None</td> <td>N</td> </tr> <tr> <td>Resistor Series</td> <td>*S</td> </tr> <tr> <td>Resistor EOL</td> <td>*E</td> </tr> <tr> <td>Diode</td> <td>D</td> </tr> <tr> <td>Lift flap</td> <td>F</td> </tr> <tr> <td>LED</td> <td>L</td> </tr> <tr> <td>Double changeover</td> <td>T</td> </tr> <tr> <td>Flush Mounting</td> <td>M</td> </tr> <tr> <td>(weatherproof only)</td> <td></td> </tr> <tr> <td>Glass substitute</td> <td>G</td> </tr> <tr> <td>(for use during installation)</td> <td></td> </tr> </tbody> </table>	Feature	Code	None	N	Resistor Series	*S	Resistor EOL	*E	Diode	D	Lift flap	F	LED	L	Double changeover	T	Flush Mounting	M	(weatherproof only)		Glass substitute	G	(for use during installation)		<table border="1"> <thead> <tr> <th>Entries</th> <th>Code</th> </tr> </thead> <tbody> <tr> <td>2x20mm (bottom)</td> <td>B</td> </tr> <tr> <td>2 x 20mm (top)</td> <td>T</td> </tr> </tbody> </table>	Entries	Code	2x20mm (bottom)	B	2 x 20mm (top)	T	<table border="1"> <thead> <tr> <th>Colour</th> <th>Code</th> </tr> </thead> <tbody> <tr> <td>Natural Red</td> <td>N</td> </tr> <tr> <td>Red Paint</td> <td>R</td> </tr> <tr> <td>Blue</td> <td>B</td> </tr> <tr> <td>Green</td> <td>G</td> </tr> <tr> <td>White</td> <td>W</td> </tr> <tr> <td>Yellow</td> <td>Y</td> </tr> <tr> <td>Special</td> <td>S</td> </tr> </tbody> </table>	Colour	Code	Natural Red	N	Red Paint	R	Blue	B	Green	G	White	W	Yellow	Y	Special	S
Certification	Code																																																																													
EExia	I																																																																													
Weatherproof	W																																																																													
Label Type	Code																																																																													
Glass Label																																																																														
Fire Break Glass 'Press Here'	1																																																																													
Break Glass 'Press Here'	2																																																																													
Special	3																																																																													
European Standard (draft)																																																																														
	4																																																																													
Duty Label (special)	5																																																																													
(Burning House as standard)																																																																														
Tag Label	6																																																																													
Specify wording on '3', '5' & '6'																																																																														
Feature	Code																																																																													
None	N																																																																													
Resistor Series	*S																																																																													
Resistor EOL	*E																																																																													
Diode	D																																																																													
Lift flap	F																																																																													
LED	L																																																																													
Double changeover	T																																																																													
Flush Mounting	M																																																																													
(weatherproof only)																																																																														
Glass substitute	G																																																																													
(for use during installation)																																																																														
Entries	Code																																																																													
2x20mm (bottom)	B																																																																													
2 x 20mm (top)	T																																																																													
Colour	Code																																																																													
Natural Red	N																																																																													
Red Paint	R																																																																													
Blue	B																																																																													
Green	G																																																																													
White	W																																																																													
Yellow	Y																																																																													
Special	S																																																																													

Supplied by:

A.S.P. Electro-Technology Ltd
Specialist Suppliers of Hazardous Area Certified
Electrical Products & Instrumentation

39 London Road, Hinckley, LE10 1HQ. U.K.
Tel: +44 (0)1455 635796 Fax: +44 (0)1455 251110
Email: sales@asp-electro-tech.com Web: asp-electro-tech.com



This publication is not intended to form the basis of a contract. All the above specifications, dimensions, weights, tolerances etc are typical and may be varied or changed by the manufacturer without prior notice. A.S.P. Electro-Technology accept no liability for consequence of use.