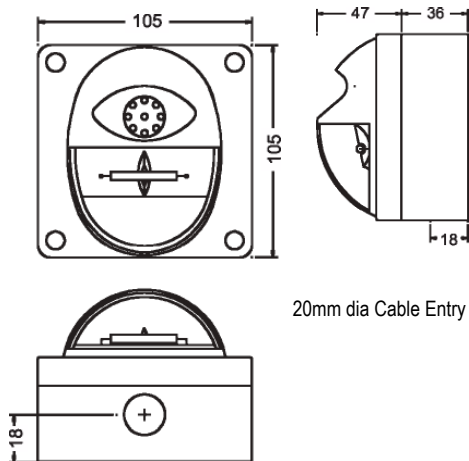
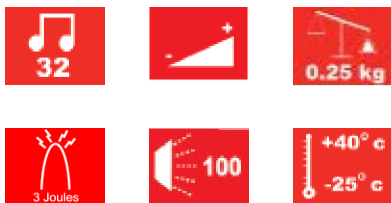


YL2 Sounder/Beacon (Indoor Use)



All dimensions quoted are approximate only and subject to change without notice as are technical features resulting from continual development and improvement.



Audible and Visual Alarm

MAIN FEATURES

- Fully integrated Sounder Strobe Combination Unit
- Unique compact design
- Suitable for indoor use only
- Continuously rated
- Suitable as bedhead alarm
- Volume control as standard
- Low current consumption
- Separate light, sound or combination function
- Parabolic reflector produces high intensity light output (3J)
- Complies with BS5839 Pt 1: 2002
- Optional lens colours are available in Red, Amber and Clear Polycarbonate plastic
- Red/White non flame retardant high impact ABS plastic enclosure
- 32 selectable tones meeting international regulations
- Sound selection via DIL switch

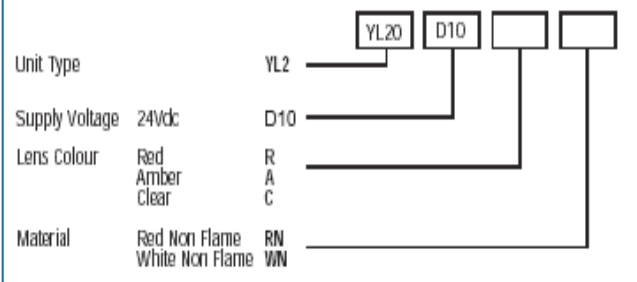
TECHNICAL SPECIFICATION

- Relative humidity 90% @ 40 deg C
- Operating voltage 24Vdc +/- 20%
- Operating temperature -25 to +40 deg C
- Storage temperature -40 deg C to +70 deg C
- Light output 40 candela (effective) on x-axis
- Flash rate 1 per second
- IP54
- Sound output 100dB(A) max @ 1 mtr
- Minimum current consumption - Strobe 60mA
- Minimum current consumption - Sounder 20mA
- Weight 0.25KG
- Separate in - out supply connections for looping to other YL2 units

MOUNTING

The YL2 should be mounted to a reasonably flat wall or bulkhead of suitable material, using any of the internal mounting holes. The installation is completed by fitting the unit onto the back box by means of the screws provided

HOW TO ORDER



NOTE: FOR INDOOR USE ONLY

Supplied by:

A.S.P. Electro-Technology Ltd



39 London Road, Hinckley, LE10 1HQ. U.K.
 Tel: +44 (0)1455 635796 Fax: +44 (0)1455 251110
 Email: sales@asp-electro-tech.com
 Web: asp-electro-tech.com



This publication is not intended to form the basis of a contract. All the above specifications, dimensions, weights, tolerances etc are typical and may be varied or changed by the manufacturer without prior notice. A.S.P. Electro-Technology accept no liability for consequence of use.