

A.S.P. Electro-Technology Ltd

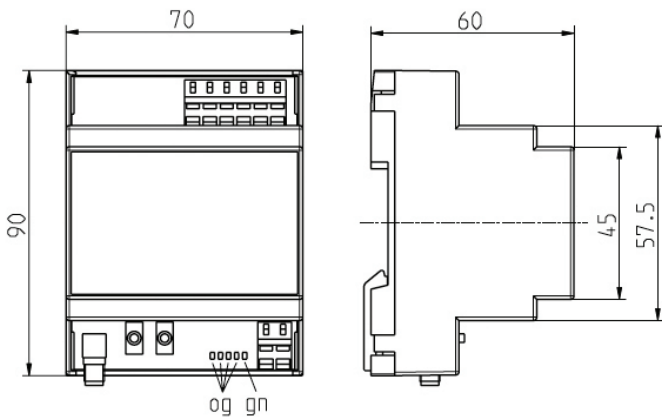
Tel: +44 (0) 1455 635796
Fax: +44 (0) 1455 610851

sales@asp-electro-tech.com
www.asp-electro-tech.com

RF Rx EN868-2W Wireless Receiver

Features

- EnOcean standard
- 2-channel: potential-free relay outputs
- 2 change-over contacts, max. 6 A
- Transmitter/receiver assignment by teaching mode
- LEDs for indication of switching state
- SMA plug-in connector for external antenna



Technical Data

Standards	EN 60947-5-1; EN 61000-6-2; EN 61000-6-3; EN 60068-2-6; EN 60068-2-27; EN 301 489-1; EN 301 489-3; EN 300 220-2; EN 300 220-3
Number of channels	2
Mounting	DIN rail mounting
Connection	terminals with CAGE CLAMP WAGO Series 236: 0.08 ... 2.5 mm ² / AWG 28-12, AWG 12: THHN, THWN, stripping length 5 ... 6 mm / 0.22 in
Degree of protection	IP 20 to IEC/EN 60529
Inputs	2 wireless channels, max. 10 transmitters per channel
Outputs	2 change-over contacts (relays)
Rated operating current I _e	max. 0.25A AC; 0.1A DC
Rated operating voltage U _e	24 VAC/DC -15 % ... +10 %
I _e /U _e of output contacts	6A / 250 VAC; 2A / 24 VDC
Utilisation category	AC-15; DC-13
U _i	250 VAC
U _{imp}	2.5 kV
Frequency	868.3 MHz
LED display	green LED: supply voltage, orange LED: switching conditions
Switching frequency	approx. 9000 telegrams at repetitions/h
Degree of pollution	2 per DIN VDE 0110
Ambient temperature	0 °C ... +55 °C
Storage and shipping temperature	-25 °C ... +85 °C
Vibration resistance	NO contact 20 g, NC contact 5 g
Shock resistance	max. 100 g
External antenna	always required for optimum sensing range
Note	Inductive loads (contactors, relays etc.) are to be suppressed by suitable circuitry.
Approvals	

Errors and omissions excepted