

A.S.P. Electro-Technology Ltd

Tel: +44 (0) 1455 635796  
Fax: +44 (0) 1455 610851

sales@asp-electro-tech.com  
www.asp-electro-tech.com

## Ex Lighting - AVC INCREASED SAFETY LIGHTING FIXTURES FOR BI-PIN FLUORESCENT LAMPS

### Installation:

Hazardous Areas - Zone 1 / 2 (Gases)  
- Zone 21 / 22 (Dusts)

Classification: Group II - Category 2G 2D



	LIGHTING FIXTURE			
	ATEX 94/9/EC	IEC Ex	IN METRO	GOST -R
<b>Execution</b>	⊕ II 2 G Ex d e q IIC T4 Gb ⊕ II 2 D Ex tb IIIC T80°C Db	Ex d e q IIC T4 Gb Ex tb IIIC T80°C Db	Ex d e q IIC T4 Gb Ex tb IIIC T80°C Db	Ex d e q IIC T4 Gb X Ex tb IIIC T80°C Db
<b>Ambient Temperature</b>	-20°C ÷ +60°C	-20°C ÷ +60°C	-20°C ÷ +60°C	-40°C ÷ +55°C
<b>Protection Degree</b>	IP66	IP66	IP66	IP66
<b>Certificate Ref.</b>	LCIE 12 ATEX 3050X	-	-	POCC IT. ME92.B02923
<b>Rules Of Compliance</b>	IEC 60079-0 Ed.6; EN 60079-1:2007; EN 60079-5:2007; EN 60079-07:2007; EN 60079-31:2009;	IEC 60079-0; IEC 60079-1; IEC 60079-31; IEC 60079-5; IEC 60079-7;	ABNT NBR IEC 60079-0; ABNT NBR IEC 60079-1; ABNT NBR IEC 60079-31; ABNT NBR IEC 60079-5; ABNT NBR IEC 60079-7;	ГОСТ Р МЭК 60079-0:2011; ГОСТ Р МЭК 61241-0:2007; ГОСТ Р МЭК 61241-1:2004;

	EMERGENCY UNIT			
	ATEX 94/9/EC	IEC Ex	IN METRO	GOST -R
<b>Execution</b>	⊕ II 2 G Ex d e q IIC T4 Gb ⊕ II 2 D Ex tb IIIC T80°C Db	Ex d e q IIC T4 Gb Ex tb IIIC T80°C Db	Ex d e q IIC T4 Gb Ex tb IIIC T80°C Db	Ex d e q IIC T4 Gb X Ex tb IIIC T80°C Db
<b>Ambient Temperature</b>	-20°C ÷ +60°C	-20°C ÷ +60°C	-20°C ÷ +60°C	-40°C ÷ +55°C
<b>Protection Degree</b>	IP66	IP66	IP66	IP66
<b>Certificate Ref.</b>	LCIE 12 ATEX 3050X	-	-	POCC IT. ME92.B02923
<b>Rules Of Compliance</b>	IEC 60079-0 Ed.6; EN 60079-1:2007; EN 60079-5:2007; EN 60079-07:2007; EN 60079-31:2009;	IEC 60079-0; IEC 60079-1; IEC 60079-31; IEC 60079-5; IEC 60079-7;	ABNT NBR IEC 60079-0; ABNT NBR IEC 60079-1; ABNT NBR IEC 60079-31; ABNT NBR IEC 60079-5; ABNT NBR IEC 60079-7;	ГОСТ Р МЭК 60079-0:2011; ГОСТ Р МЭК 61241-0:2007; ГОСТ Р МЭК 61241-1:2004;

**Mechanical Characteristics**

Body	Glass fibre reinforced polyester resin self-extinguishing acc. to UL94
Diffuser	U/V resistant polycarbonate - hinged to body
Safety closing	Operated by hexagonal key
Gaskets	EPDM 60 rubber suitable for high temperatures and resistant to environments conditions
Internal reflector	White stove enamelled sheet aluminum
Cable entry	ISO-Metric complete with cable glands and plug

**Electrical characteristics**

Power supply	Electronic ballast 96...254V AC 50/60Hz (cos $\rho \geq 0,95$ )
Lampholders	bi-pin G13 cap
Internal wiring	High-temperature resistant silicon rubber insulation cables
Terminals	Suitable up to 4 sq/mm cables
Safety feature	With protections against over charge and over discharge

**On Request Accessories:**

- Pole mounting kit complete with stainless steel hardware
- Ceiling mounting kit complete with stainless steel hardware
- Pendant mounting kit complete with stainless steel hardware
- Wall/Structure mounting kit complete with stainless steel hardware
- Electronic ballast with voltage supply different than standard
- Voltage different than standard

**AVC Technical data**

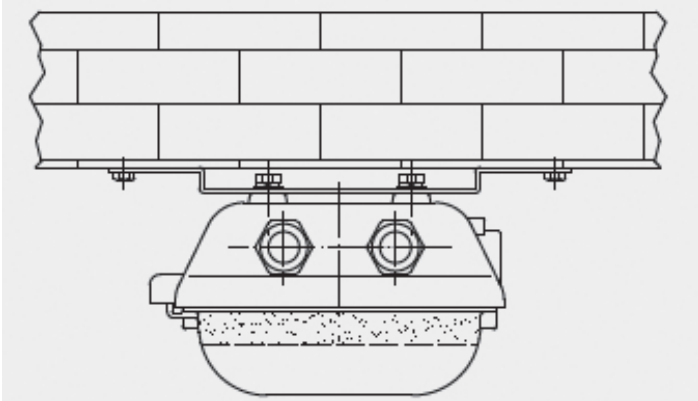
Code	Lamp	Temp Class (Gas)	Temp Class (Dust)	Lampholder	Cable Entry	Emergency Unit	Autonomy	Detail
<b>Fluorescent lighting fixtures for single and twin lamps - power supply 96...254V ac 50/60hz</b>								
AVC 118	1x18W	T4	T 80°C	G13	4 x M25 x 1,5	-	-	A
AVC 136	1x36W	T4	T 80°C	G13	4 x M25 x 1,5	-	-	A
AVC 218	2x18W	T4	T 80°C	G13	4 x M25 x 1,5	-	-	A
AVC 236	2x36W	T4	T 80°C	G13	4 x M25 x 1,5	-	-	A
<b>Emergency fluorescent lighting fixtures for single and twin lamps - power supply 230/240v ac 50/60hz</b>								
AVC 118-E	1x18W	T4	T 80°C	G13	4 x M25 x 1,5	4.8 V - 4Ah	3h	A
AVC 136-E	1x36W	T4	T 80°C	G13	4 x M25 x 1,5	4.8 V - 4Ah	3h	A
AVC 218-E	2x18W	T4	T 80°C	G13	4 x M25 x 1,5	4.8 V - 4Ah	3h	A
AVC 236-E	2x36W	T4	T 80°C	G13	4 x M25 x 1,5	4.8 V - 4Ah	3h	A

**AVC Technical features**

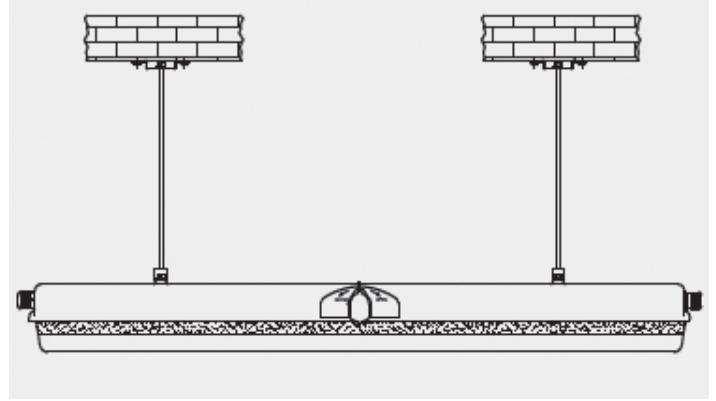
Code	A (mm)	B (mm)	C (mm)	D (mm)	Weight (kg)	Cable Entry	Detail
AVC 118	705	222	134	450	7.50	4 x M25 x 1,5	A
AVC 136	1335	222	134	800	11.50	4 x M25 x 1,5	A
AVC 218	705	222	134	450	8.00	4 x M25 x 1,5	A
AVC 236	1335	222	134	800	12.00	4 x M25 x 1,5	A

Code	A (mm)	B (mm)	C (mm)	D (mm)	Weight (kg)	Cable Entry	Detail
AVC 118-E	705	222	134	450	9.00	4 x M25 x 1,5	A
AVC 136-E	1335	222	134	800	13.00	4 x M25 x 1,5	A
AVC 218-E	705	222	134	450	9.50	4 x M25 x 1,5	A
AVC 236-E	1335	222	134	800	13.50	4 x M25 x 1,5	A

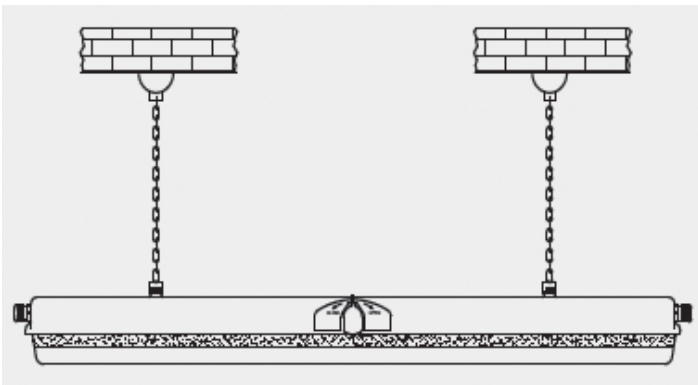
Avc Installation And Mounting Details  
Ceiling Mounting - Type 1



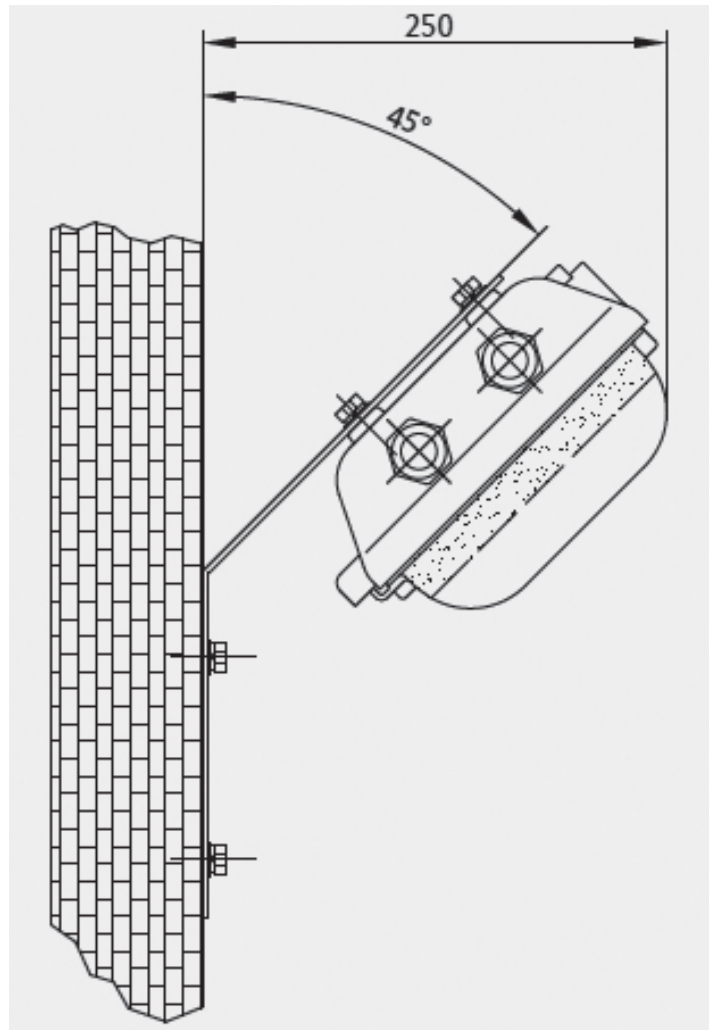
Pendant Mounting - Type 2



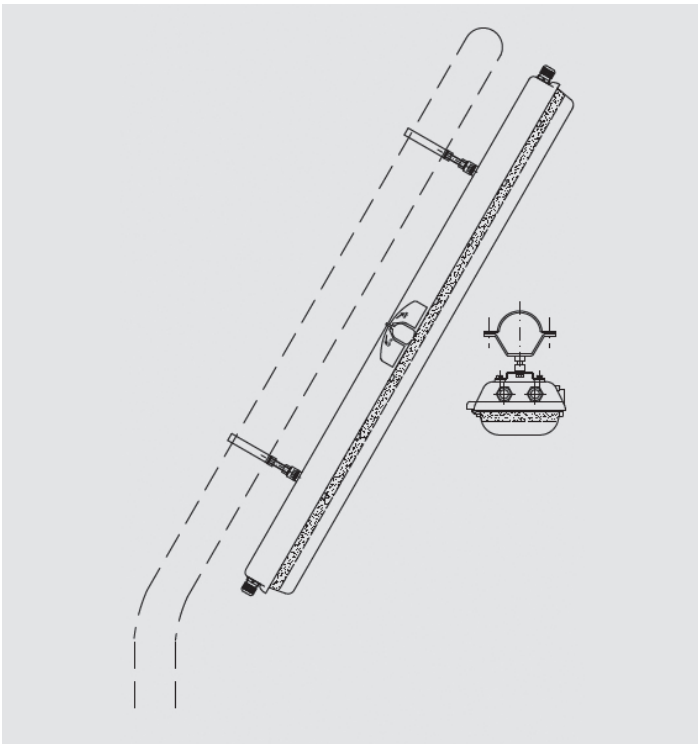
Pendant Mounting - Type 2.1



Wall/Structure Mounting - Type 3

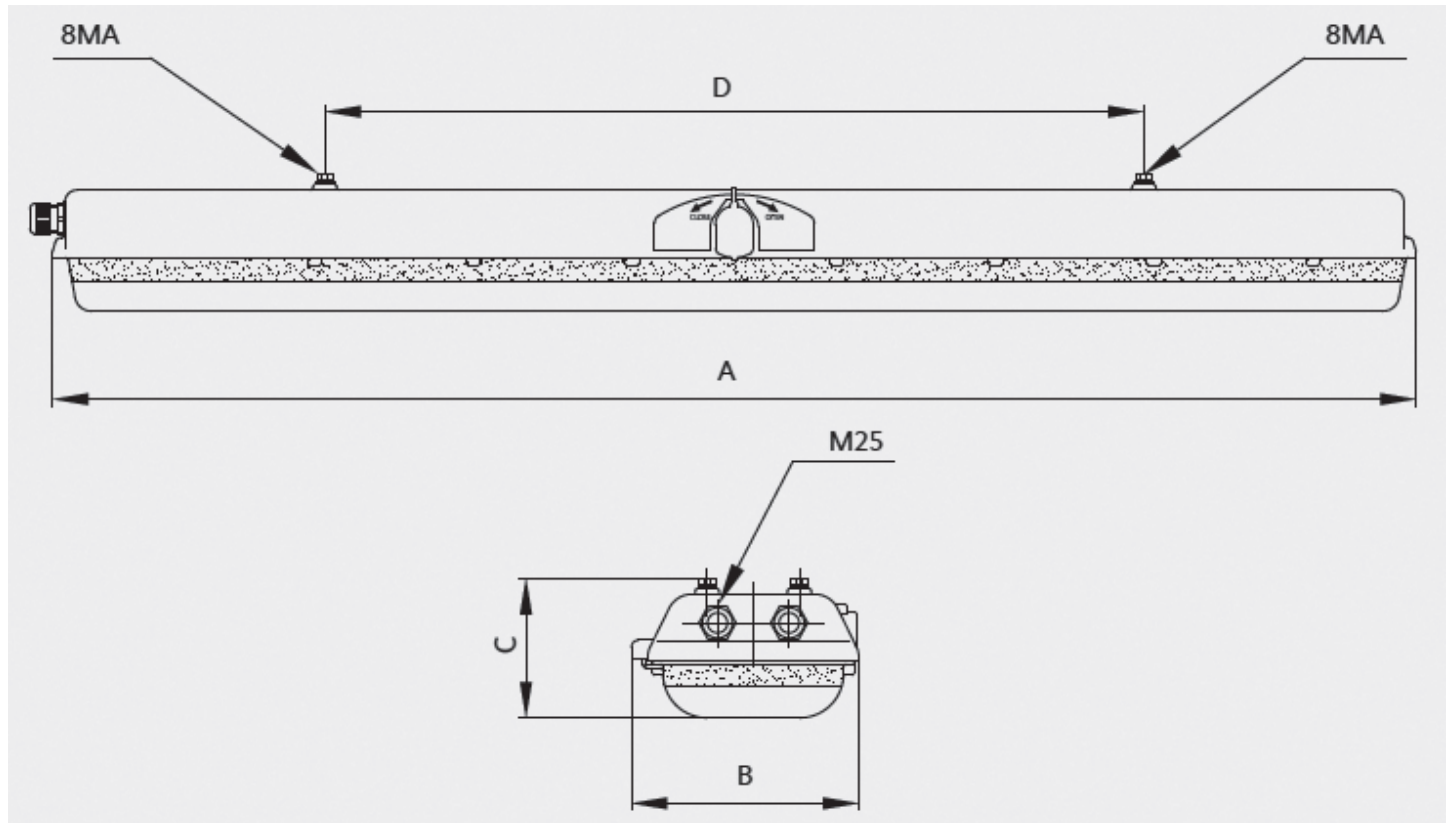


Pole Mounting. Assembling Detail with Pole (typical) - Type 4



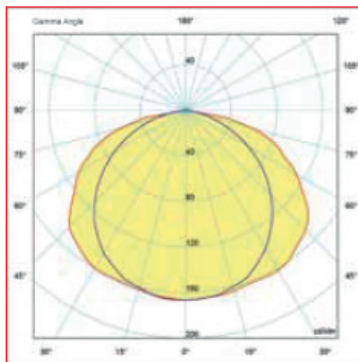
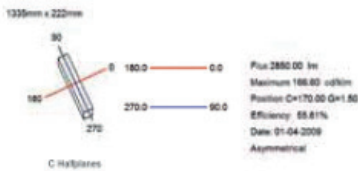
Reference details

A

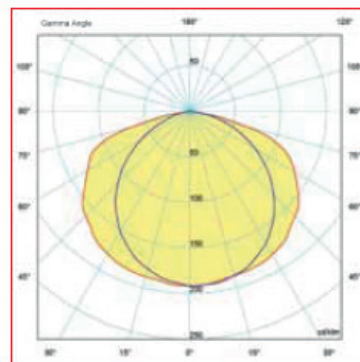
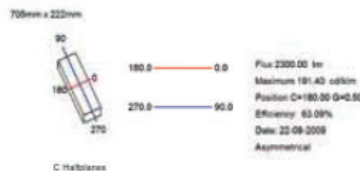


AVC Polar Diagrams - Photometric Data

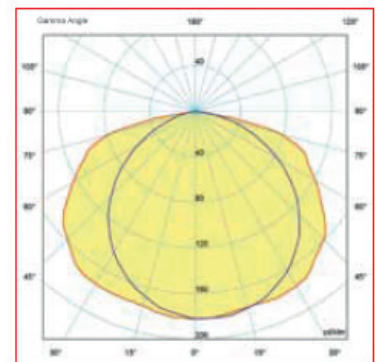
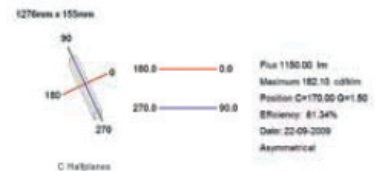
AVC136



AVC218



AVC118



AVC with Emergency Unit (design and special features)

Description	Installation	Material
Pole Mounting Kit (Size 2" Dia.) C/W Hardware	Type 4	Galvanized Steel
Pole Mounting Kit (Size 1 1/2" Dia.) C/W Hardware	Type 4	Galvanized Steel
Pendant Pole Mounting Kit C/W Hardware And Eye-Bolts	Type 2.1	Stainless Steel
Pendant Chain Mounting Kit C/W Hardware And Eye-Bolts	Type 2	Galvanized Steel
Ceiling Mounting Kit C/W Hardware	Type 1	Galvanized Steel