

A.S.P. Electro-Technology Ltd

Tel: +44 (0) 1455 635796  
Fax: +44 (0) 1455 610851

sales@asp-electro-tech.com  
www.asp-electro-tech.com

## Ex Lighting - EVSN LIGHTING FIXTURES FOR FLUORESCENT TUBE LAMPS

### Installation:

Hazardous Areas - Zone 2 (Gases)  
- Zone 22 (Dusts)

Classification: Group II - Category 3G 3D



	LIGHTING FIXTURE			
	ATEX 94/9/EC	IEC Ex	IN METRO	GOST-R
<b>Execution</b>	Ⓜ II 3 G Ex nA II T6/T5/T4 Ⓜ II 3 D Ex tD A22 T85°C/ T100°C/T135°C	Ex nA II T6/T5/T4 Ex tD A22 T85°C/ T100°C/T135°C	Ex nA II T6/T5/T4 Ex tD A22 T85°C/T100°C/T135°C	2Ex nA II T6 (T5) X Ex tD A22 T85°C, T100°C
<b>Ambient Temp</b>	-20°C ÷ +60°C	-20°C ÷ +60°C	-20°C ÷ +60°C	-40°C ÷ +60°C
<b>Protection Degree</b>	IP65/66	IP65/66	IP65/66	IP65/66
<b>Certificate Ref.</b>	IMQ 08 ATEX 008X	-	-	POCC IT. ME92.B02923
<b>Rules Of Compliance</b>	EN 60079:2006; EN 60079-15:2005; EN 61241-0:2006; EN 61241-1:2004	IEC 60079-0 :2007-10; IEC 60079-1 :2007-04; IEC 61242-31 :2008-11	ABNT NBR IEC 60079-0:2007-10; ABNT NBR IEC 60079-1:2007-04; ABNT NBR IEC 61242-31:2008-11	ГОСТ P 51330.9-99 (МЭК 60079-10-95); ГОСТ P 51330.13-99 (МЭК 60079-14-96); ГОСТ P МЭК 61241-3-99

### Mechanical Characteristics

Body	Glass fibre reinforced polyester resin
Diffuser	U/V resistant polycarbonate - hinged to body
Safety Closing	Stainless steel hooks with safety device
Gaskets	EPDM 60 rubber suitable for high temperatures and resistant to environments conditions
Internal Reflector	White stove enamelled sheet steel
Cable entry	Complete with PVC cable gland

### On Request Accessories

- Pole mounting kit complete with stainless steel hardware
- Ceiling mounting kit complete with stainless steel hardware
- Pendant mounting kit complete with stainless steel hardware
- Wall/Structure mounting kit complete with stainless steel hardware
- Electronic ballast with voltage supply different than standard
- Ex-de safety switch
- AUTOTEST electronic system for emergency unit
- Up to 4 cable entries

### Electrical Characteristics

Power Supply	Dual channel electronic ballast 110÷260V AC/ DC 50/60Hz (cos ρ ≥ 0,98)
Lampholders	Bi-pin G13 cap
Terminals	Suitable up to 6 sq/mm cables

## EVSN Technical data

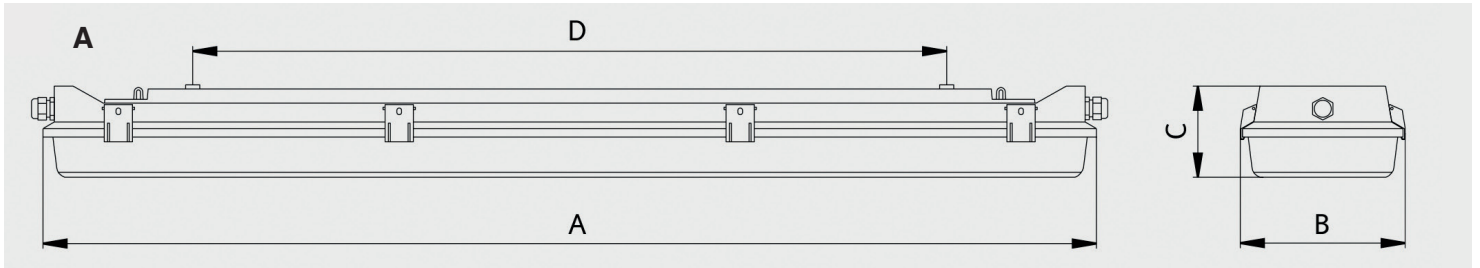
Code	Lamp	Temp Class (Gas)	Temp Class (Dust)	Lampholder Size	Cable Entry with Cable Gland	Emergency Unit	Autonomy	Detail
<b>Fluorescent Lighting Fixtures For Single And Twin Lamps - Power Supply 110V / 260V - 50/60Hz</b>								
EVSN118EL	1 x 18W	T6	T 85°C	G13	2 x M20	-	-	A
		T5	T100°C					
		T4	T135°C					
EVSN136EL	1 x 36W	T6	T 85°C	G1	2 x M20	-	-	A
		T5	T100°C					
		T4	T135°C					
EVSN158EL	1 x 58W	T5	T100°C	G13	2 x M20	-	-	A
EVSN218EL	2 x 18W	T6	T 85°C	G13	2 x M20	-	-	A
		T5	T100°C					
		T4	T135°C					
EVSN236EL	2 x 36W	T6	T 85°C	G13	2 x M20	-	-	A
		T5	T100°C					
		T4	T135°C					
EVSN258EL	2 x 58W	T5	T100°C	G13	2 x M20	-	-	A
<b>Emergency Fluorescent Lighting Fixtures For Single And Twin Lamps - Power Supply 230V / 240V - 50/60Hz</b>								
EVSNE118EL	1 x 18W	T6	T 85°C	G13	2 x M20	4.8V - 4Ah	3h	A
		T5	T100°C					
		T4	T135°C					
EVSNE136EL	1 x 36W	T6	T 85°C	G13	2 x M20	4.8V - 4Ah	3h	A
		T5	T100°C					
		T4	T135°C					
EVSN158EL	1 x 58W	T5	T100°C	G13	2 x M20	4.8V - 4Ah	3h	A
EVSNE218EL	2 x 18W	T6	T 85°C	G13	2 x M20	4.8V - 4Ah	3h	A
		T5	T100°C					
		T4	T135°C					
EVSNE236EL	2 x 36W	T6	T 85°C	G13	2 x M20	4.8V - 4Ah	3h	A
		T5	T100°C					
		T4	T135°C					
EVSN258EL	2 x 58W	T5	T100°C	G13	2 x M20	4.8V - 4Ah	3h	A

## EVSN Technical Features

Code	A [mm]	B [mm]	C [mm]	D [mm]	Weight [kg]	Cable Entry	Detail
EVSN118EL	667	90	98	420	1.75	2 x M20	A
EVSN136EL	1276	90	98	775	2.45	2 x M20	A
EVSN158EL	1576	90	98	1070	2.65	2 x M20	A
EVSN218EL	667	155	102	455	2.10	2 x M20	A
EVSN236EL	1276	155	102	770	3.90	2 x M20	A
EVSN258EL	1576	155	102	1055	4.00	2 x M20	A

## Ex Lighting - EVSN

### Reference Details

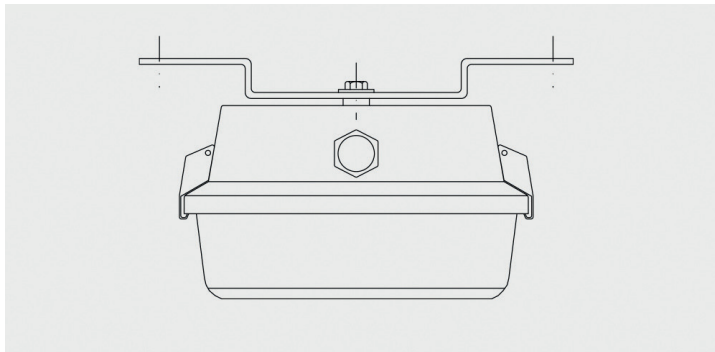


### EVSN Technical Features

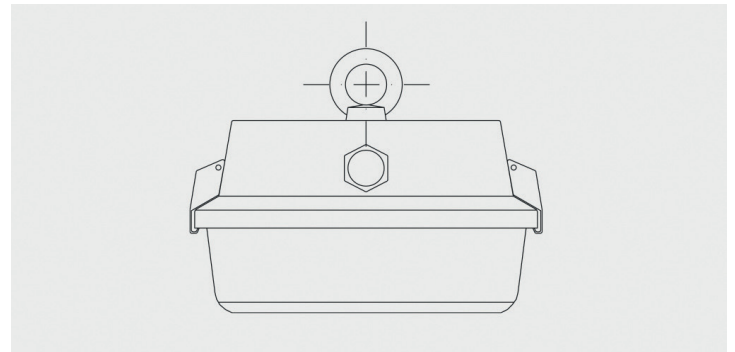
Code	A [mm]	B [mm]	C [mm]	D [mm]	Weight [kg]	Cable Entry	Detail
EVSNE118EL	667	90	98	420	3.00	2 x M20	A
EVSN136EL	1276	90	98	775	3.70	2 x M20	A
EVSN158EL	1576	90	98	1070	4.35	2 x M20	A
EVSN218EL	667	155	102	455	3.35	2 x M20	A
EVSN236EL	1276	155	102	770	5.15	2 x M20	A
EVSN258EL	1576	155	102	1055	6.45	2 x M20	A

### EVSN Installation and mounting details

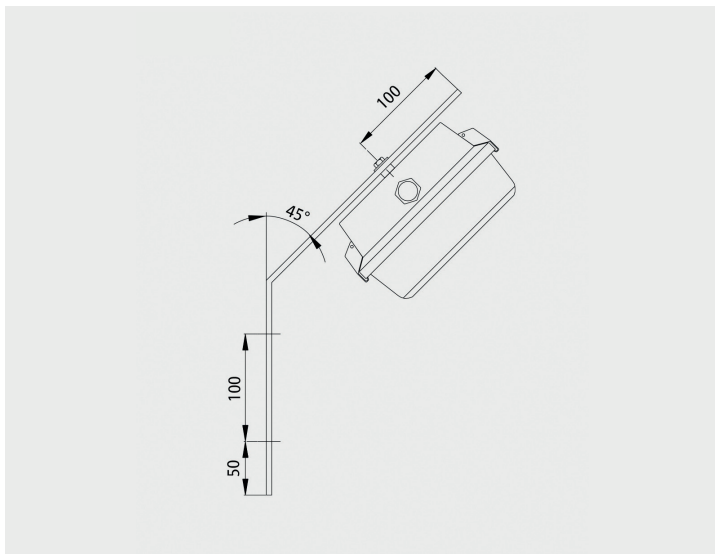
#### Ceiling Mounting - Type 1



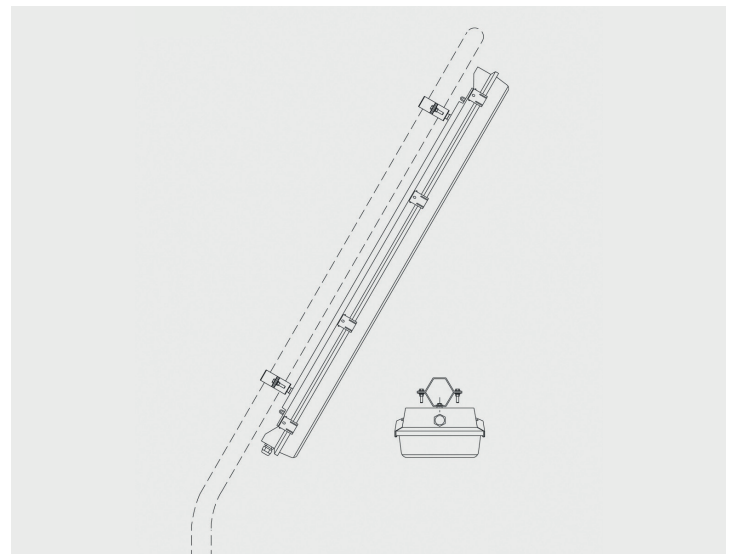
#### Pendant Mounting - Type 2



#### Wall/Structure Mounting - Type 3

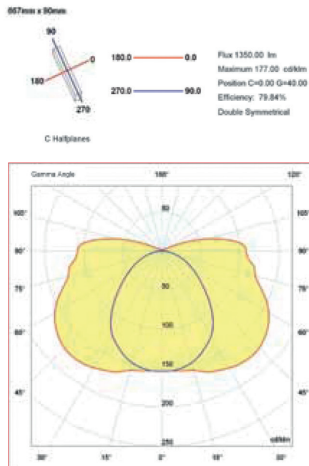


#### Pole Mounting. Assembly detail with pole (typical) - Type 4

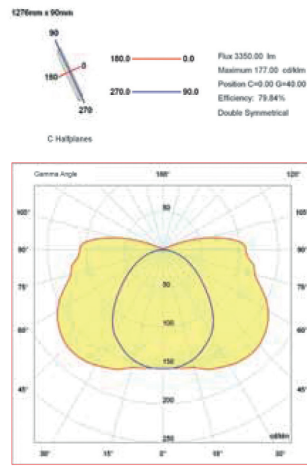


EVSN Polar Diagrams - Photometric Data

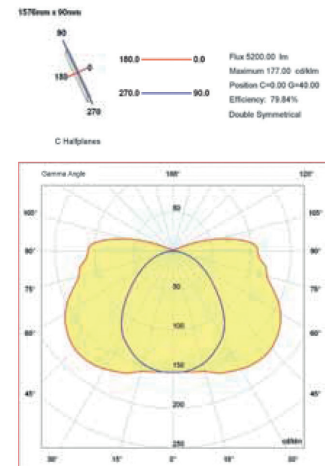
EVSN118



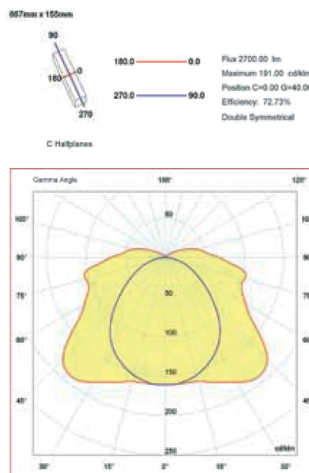
EVSN136



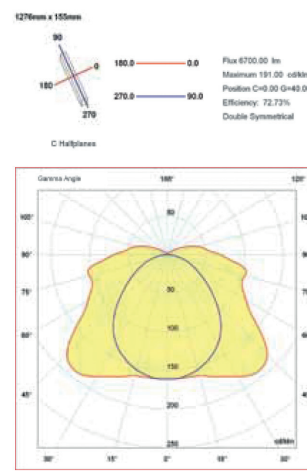
EVSN158



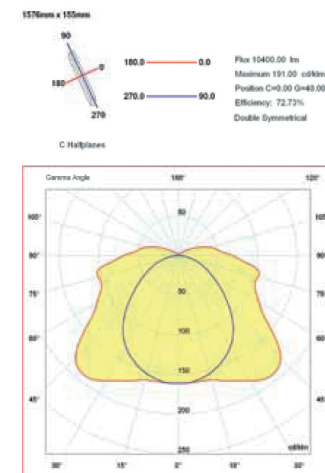
EVSN218



EVSN236



EVSN258



EVSN On Request Accessories

Code	Description	Installation	Material
20302.0122	Pole Mounting Kit (Size 1 1/2" Dia.) C/W Hardware	Type 4	Galvanized Steel
20302.0123	Pole Mounting Kit (Size 2" Dia.) C/W Hardware	Type 4	Galvanized Steel
20302.0125	Pole Mounting Kit (Size 1" Dia.) C/W Hardware	Type 4	Galvanized Steel
20301.0165	Pendant Mounting Kit C/W Hardware And Eye-Bolts	Type 2	Stainless Steel
20303.0091	Ceiling Mounting Kit C/W Hardware	Type 1	Galvanized Steel
20303.0095	Wall/Structure Mounting Kit C/W Hardware	Type 3	Galvanized Steel

Please Note:

Due to the development of the national and international specifications and of the technology, the above technical characteristics showed on this bulletin can be considered as binding on our confirmation only.