

A.S.P. Electro-Technology Ltd

Tel: +44 (0) 1455 635796
Fax: +44 (0) 1455 610851

sales@asp-electro-tech.com
www.asp-electro-tech.com

Ex Lighting - EVO - EVT - TLF LIGHTING FIXTURES FOR INCANDESCENT LAMPS

Installation:

Hazardous Areas - Zone 1 / 2 (Gases)
- Zone 21 / 22 (Dusts)

Classification: Group II - Category 2G 2D



PORTHOLE LIGHTING FIXTURE (EVO)

	ATEX 94/9/EC	IEC Ex	IN METRO	GOST -R (RTR/RTN)	GOST-K
Execution	Ⓜ II 2 G Ex d IIC T6-T5-T3 Gb Ⓜ II 2 D Ex tb IIIC T85°C-T100°C T200°C Db	Ex d IIC T6-T5-T3 Gb Ex tb IIIC T85°C-T100°C-T200°C Db	Ex d IIC T6-T5-T3 Gb Ex tb IIIC T85°C-T100°C-T200°C Db	Ex d IIC T3 Gb Ex tb IIIC T200°C Db	Ex d IIC T3 Gb Ex tb IIIC T200°C Db
Ambient Temp	-60°C ÷ +60°	-60°C ÷ +60°	-60°C ÷ +60°	-60°C ÷ +60°	-60°C ÷ +60°
Protection Degree	IP66	IP66	IP66	IP66	IP66
Certificate Ref.	INERIS 01 ATEX 0039 X	IECEX INE 12.0018X	CEPEL 12.2157	POCC IT. ME92.B02923	No. 07/43-269
Rules Of Compliance	EN 60079-0:2006; EN 60079-1:2004; EN 61241-0:2006; EN 61241-1:2004;	IEC 60079-0:2011; IEC 60079-1:2007-04; IEC 60079-31:2008;	ABNT NBR IEC 60079-0:2011; ABNT NBR IEC 60079-1:2007-04; ABNT NBR IEC 60079-31:2008;	ГОСТ Р МЭК 60079-0:2011; ГОСТ Р МЭК 61241-0:2007; ГОСТ Р МЭК 61241-1:2004;	ГОСТ Р 51330.0/1/8/14-99; ГОСТ Р МЭК 61241-1-1-2002

LIGHTING FIXTURE (EVT)

	ATEX 94/9/EC	IEC Ex	IN METRO	GOST -R (RTR/RTN)	GOST-K
Execution	Ⓜ II 2 G Ex d IIC T6-T4-T3 Gb Ⓜ II 2 D Ex tb IIIC T85°C T150°C Db	Ex d IIC T6-T5-T3 Gb Ex tb IIIC T85°C-T150°C Db	Ex d IIC T4 Gb Ex tb IIIC T135°C Db	Ex d IIC T4 Gb Ex tb IIIC T135°C Db	Ex d IIC T4 Gb Ex tb IIIC T135°C Db
Ambient Temp	-60°C ÷ +60°	-60°C ÷ +60°	-60°C ÷ +60°	-60°C ÷ +60°	-60°C ÷ +60°
Protection Degree	IP66	IP66	IP66	IP66	IP66
Certificate Ref.	INERIS 01 ATEX 0040	IECEX INE 12.0027X	CEPEL 12.2155	POCC IT. ME92.B02923	No. 07/43-269
Rules Of Compliance	EN 60079-0:2006; EN 60079-1:2004; EN 61241-0:2006; EN 61241-1:2004;	IEC 60079-0:2011; IEC 60079-1:2007-04; IEC 60079-31:2008;	ABNT NBR IEC 60079-0:2011; ABNT NBR IEC 60079-1:2007-04; ABNT NBR IEC 60079-31:2008;	ГОСТ Р МЭК 60079-0:2011; ГОСТ Р МЭК 61241-0:2007; ГОСТ Р МЭК 61241-1:2004;	ГОСТ Р 51330.0/1/8/14-99; ГОСТ Р МЭК 61241-1-1-2002

Ex Lighting - EVO - EVT - TLF

	LIGHTING FIXTURE (TLF)		
	ATEX 94/9/EC	GOST -R (RTR/RTN)	GOST-K
Execution	II 2 G Ex d / Ex de IIB T3 II 2 D Ex tD A21 T200°C	1Ex d IIB T3, 2Ex de IIB T3 DIP A21 TA 200°C	1Ex d IIB T3, 2Ex de IIB T3 DIP A21 TA 200°C
Ambient Temp	-20°C ÷ +55°C	-60°C ÷ +55°C	-60°C ÷ +55°C
Protection Degree	IP65	IP65	IP65
Certificate Ref.	INERIS 01 ATEX 0026	POCC IT. ГБ05.В02536	No. 07/43-269
Rules Of Compliance	EN 60079-0:2006; EN 60079-1:2004; EN 61241-0:2006; EN 61241-1:2004;	ГОСТ Р МЭК 60079-0:2011; ГОСТ Р МЭК 61241-0:2007; ГОСТ Р МЭК 61241-1:2004	ГОСТ Р 51330.0 / 1 / 8 / 14-99 ГОСТ Р МЭК 61241-1-1-2002

Mechanical Characteristics

Body	Marine grade copper free aluminium
Diffuser	Borosilicate frontal glass (EVT)
Diffuser	Tempered frontal glass (EVO - TLF)
Painting	External epoxy powders grey ral -9006 colour
Skrews	External stainless steel
Gaskets	Silicon rubber
Cable Entry	3/4" NPT size threaded
Protection Guard	Galvanized wire steel (EVT only)

Electrical Characteristics

Power Supply	Standard voltage 230v - 50hz
Lampholders	Porcelain E27 size
Internal Wiring	High-temperature resistant silicon rubber insulation cables

On Request Accessories:

- External painting colour on request
- Threaded cable entry different than standard

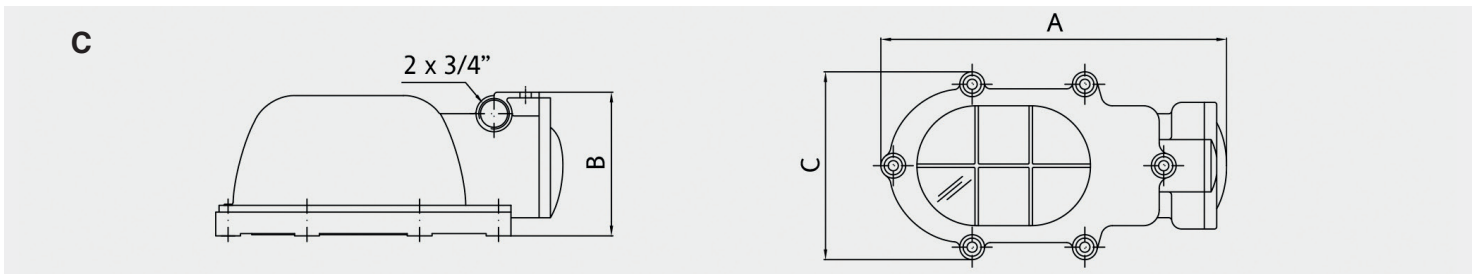
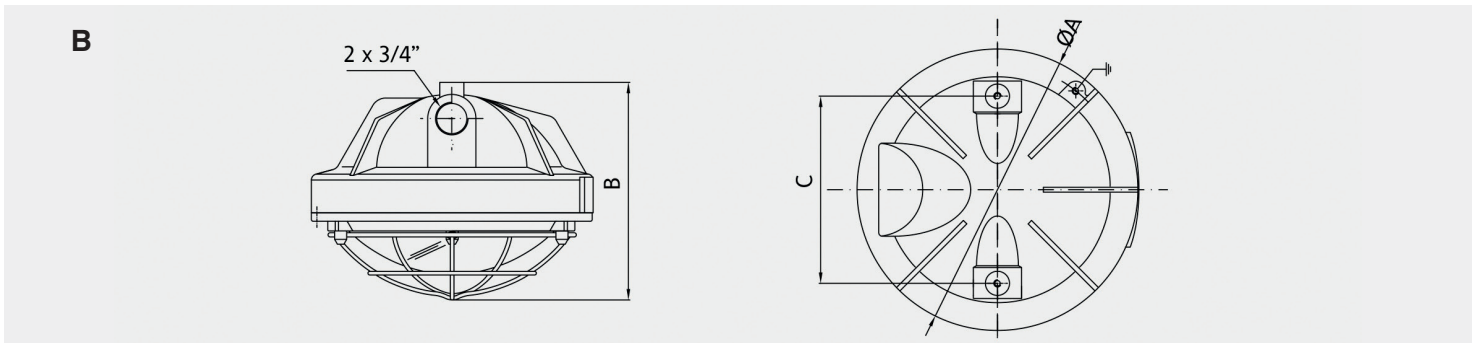
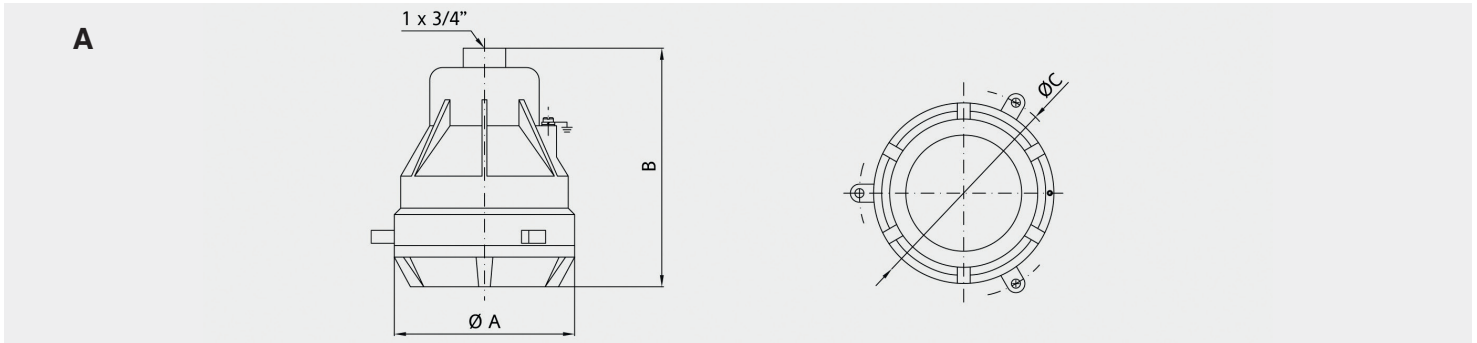
EVO - EVT - TLF Technical data

Code	Lamp	Temp Class (Gas)	Temp Class (Dust)	Lampholder Size	Cable Entry	Detail
Lighting Fixture For Incandescent Lamp - Power Supply 230V-50Hz						
EVO100	100 W	T3	T 200°C	E-27	1x3/4"	A
EVT100	100 W	T4	T135°C	E-27	2x3/4"	B
TLF100	100 W	T3	T 200°C	E-27	2x3/4"	C

EVO - EVT - TLF Technical Features

Code	A [mm]	B [mm]	C [mm]	Weight [kg]	Cable Entry	Detail
EVO100	Ø140	185	Ø162	2.00	1 x 3/4"	A
EVT100	Ø233	180	155	4.00	2 x 3/4"	B
TLF100	309	127	165	3.00	2 x 3/4"	C

Reference Details



Please Note:

Due to the development of the national and international specifications and of the technology, the above technical characteristics showed on this bulletin can be considered as binding on our confirmation only.