

A.S.P. Electro-Technology Ltd

Tel: +44 (0) 1455 635796
 Fax: +44 (0) 1455 610851

sales@asp-electro-tech.com
 www.asp-electro-tech.com

IS-mB1 IS-minialite

The IS-mB1 is a compact beacon with an array of six high output L.E.D's.

Approvals include ATEX, IECEx and GOST-R for Zone 0 applications and FM approval for Class I Division 1 and Class I Zone 0 applications.

The IS-mB1 is suitable for all intrinsically safe signalling applications including fire, security and process control.

Features:

- Input overload and reverse current protection
- End of line resistor certified
- Prismatic lens optimises L.E.D effectiveness

Approvals:

- ATEX certificate: SIRA 05ATEX2084X, EN 60079-0 : 2006, EN 60079-11 : 2007, EN 60079-26 : 2007
- IECEx certificate: IECEx SIR 06.0045X, IEC 60079-0 : 2004, IEC 60079-11 : 2006, IEC 60079-26 : 2006
- FM approved Class 3600 1998, Class 3610 1999, Class 3810 2005
- GOST-R certificate: POCC GB.JB05.B02205

Part codes:

IS-mB1-R/[x]

ATEX / IECEx / FM
II 1G Ex ia IIC T4 Ga (-40°C ≤ Ta ≤ +60°C)
IS Class I, Zone 0, AEx ia IIC T4
IS Class I, Division 1, Groups A, B, C, D

GOST-R

0ExiaIIC T4 IP65 -40° to +60°C

[x]: Lens colour:

A: Amber B: Blue G: Green R: Red C: Clear (white LED)

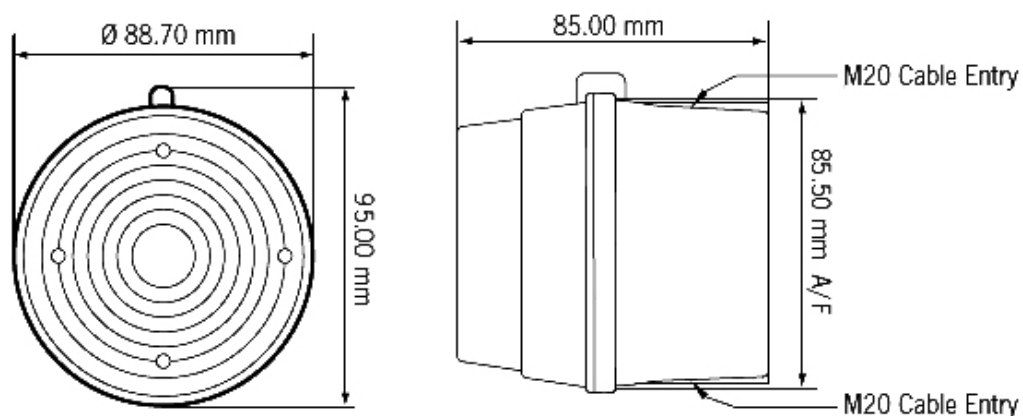
May be powered from any certified Zener barrier or galvanic isolator whose output parameters do not exceed:

Uo : 28VDC	Io : 660mA	Po : 1.2W
------------	------------	-----------



Also available as a combined alarm sounder and LED beacon - the IS-mC1 unit.



**Specification:**

Light source:	Array of 6 high intensity L.E.D's.
L.E.D. colours:	Red, Amber, Blue, Green & Clear
Flash modes:	Double flash at 2Hz and 1Hz
Effective intensity cd:	23cd*
Voltage:	16-28vdc via Zener barrier or galvanic isolator
Current:	25mA typical when powered from 24v supply via 28v 300 Ohm Zener barrier
Ingress protection:	IP65
Rating:	Continuous
Housing material:	UL94V0 & 5VA FR ABS & PC
Housing colour:	RAL3000 Red
Fixings:	Stainless Steel
Cable entries:	2 x M20 clearance gland knockouts. Custom configurations also available.
Terminals:	0.5 to 2.5mm ²
Operating temp:	-40° to +60°C
Storage temp:	-40° to +70°C
Relative humidity:	90% at 20°C